

CATALOG No: **PX4N125-5**

ISSUED: 23-Feb-24

**GENERAL INFORMATION**

HP	KW	Pole	RPM	Frame	Voltage	Hz	Phase	IP Rating
125	-	4	1800	444T	575 V	60	3	IP55

Enclosure	Ins. Class	Service Factor	Time Rating	NEMA Design	Rated Amb.	Rated Altitude
TEFC	F	1.15	Continuous	B	-15 to 40 C°	<3300 ft

**TYPICAL PERFORMANCE**

Efficiency (%)			Power Factor (%)		
Full Load	3/4 Load	1/2 Load	Full Load	3/4 Load	1/2 Load
95.4	95.0	94.1	88.50	83.00	76.00

LRT%	BDT %	Full Load Amps	Locked Rotor Amps	Full Load RPM
		575 V	575 V	
120	210	230.00	725.60	1780

NEMA KVA Code	Bearing Size		Oil Seal		Sound Level
	Drive End	Non-Drive End	Drive End	Non-Drive End	dB(A)
G	-	-	-	-	-

\*Weights shown are estimated and based on standard foot mounted motor designs

**VFD DUTY INFORMATION**

	Variable Torque	Constant Torque	Rating
CSA Certified	6 - 60 Hz	6 - 60 Hz	UL/CSA Approved Class I DIV I Group D Class I Groups E, F & G T3B
UL Certified	6 - 60 Hz	12 - 60 Hz	

**Click Link Below For Drawing**

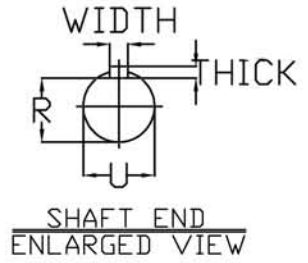
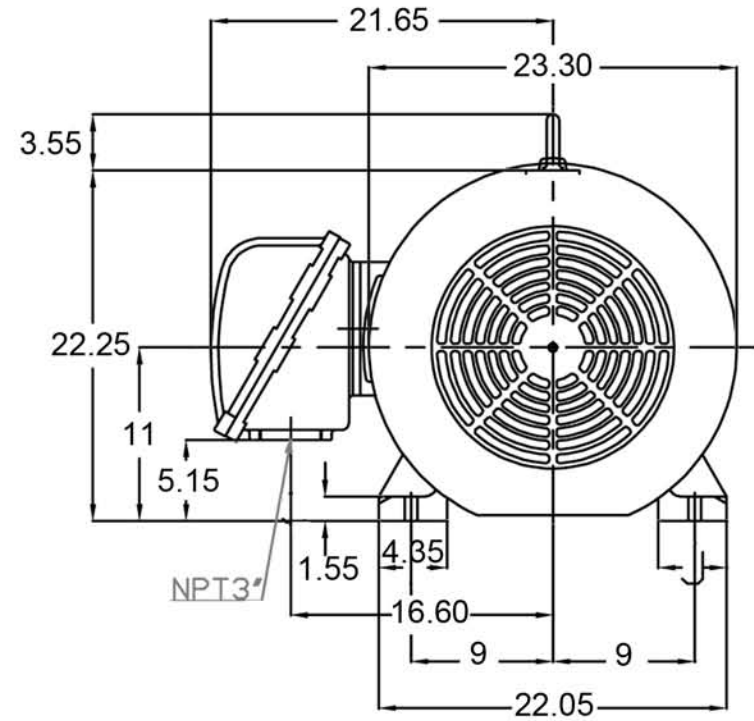
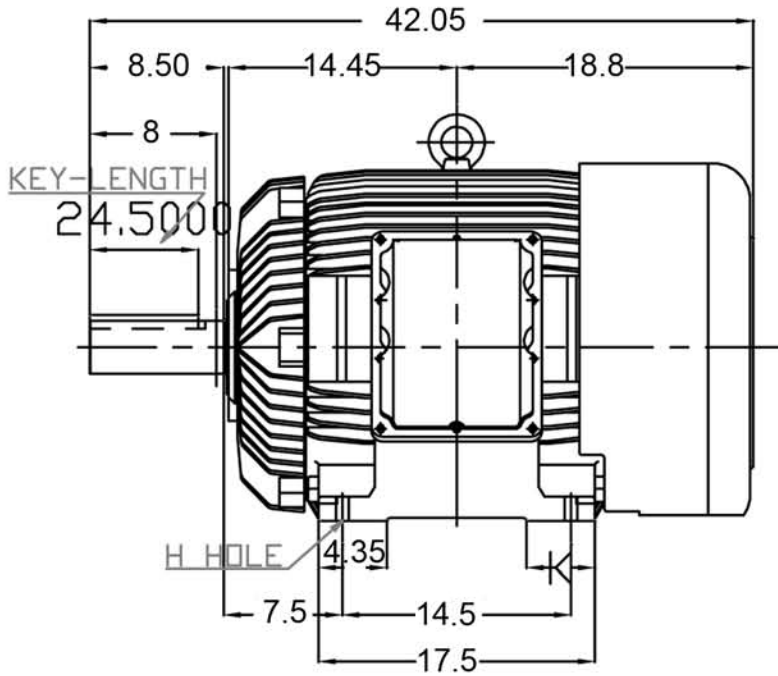
[Drawing Not Available](#)

**Click Link Below For Connection Diagram**

[Connection Diagram Not Available. Please Call 1-800-MOTORS-9](#)

Notes:

TOTALLY ENCLOSED FAN-COOLED TYPE, SQUIRREL-CAGE ROTOR



FRAME SIZE	KEY			KEYSEAT R	U	BEARINGS		APPROX. WEIGHT LBS
	WIDTH	THICK	LENGTH			DRIVE END	OPP. DRIVE END	
444T	0.875	0.875	6.89	2.880	3.375	6318	6318	1600

- NOTE: 1. DIMENSION D TOLERANCE: +0.00INCH, -0.06INCH  
 2. DIMENSION U TOLERANCE: +0.000INCH, -0.001INCH  
 3. DIMENSION R TOLERANCE: +0.000INCH, -0.015INCH  
 4. DIMENSION V IS THE LENGTH OF STRAIGHT PART OF SHAFT  
 5. F CLASS INSULATION, S.F. 1.15  
 6. FOR DIRECT FLEXIBLE COUPLING  
 7. UL EXPLOSION PROOF  
 8. SUITABLE FOR DIVISION I, CLASS I, GROUP D, T2D CLASS II, GROUP E,F,G T3B  
 9. WITH THERMOSTAT: N.C. 145°C 3PCS

DATE	OUTLINE DIMENSIONS	
	3-PHASE INDUCTION MOTOR	
<b>BROOK CROMPTON</b>	DWG NO.	REV: 00