

**60HZ TECHNICAL DATA SHEET**

CATALOG No: **PX4N040-5**

ISSUED: 23-Feb-24

**GENERAL INFORMATION**

HP	KW	Pole	RPM	Frame	Voltage	Hz	Phase	IP Rating
40	-	4	1800	324T	575 V	60	3	IP55

Enclosure	Ins. Class	Service Factor	Time Rating	NEMA Design	Rated Amb.	Rated Altitude
TEFC	F	1.15	Continuous	B	-15 to 40 C°	<3300 ft

**TYPICAL PERFORMANCE**

Efficiency (%)			Power Factor (%)		
Full Load	3/4 Load	1/2 Load	Full Load	3/4 Load	1/2 Load
94.1	94.0	94.0	85.50	84.00	79.00

LRT%	BDT %	Full Load Amps	Locked Rotor Amps	Full Load RPM
		575 V	575 V	
225	215	37.24	232.00	1770

NEMA KVA Code	Bearing Size		Oil Seal		Sound Level
	Drive End	Non-Drive End	Drive End	Non-Drive End	dB(A)
G	-	-	-	-	-

\*Weights shown are estimated and based on standard foot mounted motor designs

**VFD DUTY INFORMATION**

	Variable Torque	Constant Torque	Rating
CSA Certified	6 - 60 Hz	6 - 60 Hz	UL/CSA Approved Class I DIV I Group D Class I Groups E, F & G T3B
UL Certified	6 - 60 Hz	12 - 60 Hz	

**Click Link Below For Drawing**

[Drawing Not Available](#)

**Click Link Below For Connection Diagram**

[Connection Diagram Not Available. Please Call 1-800-MOTORS-9](#)

Notes:

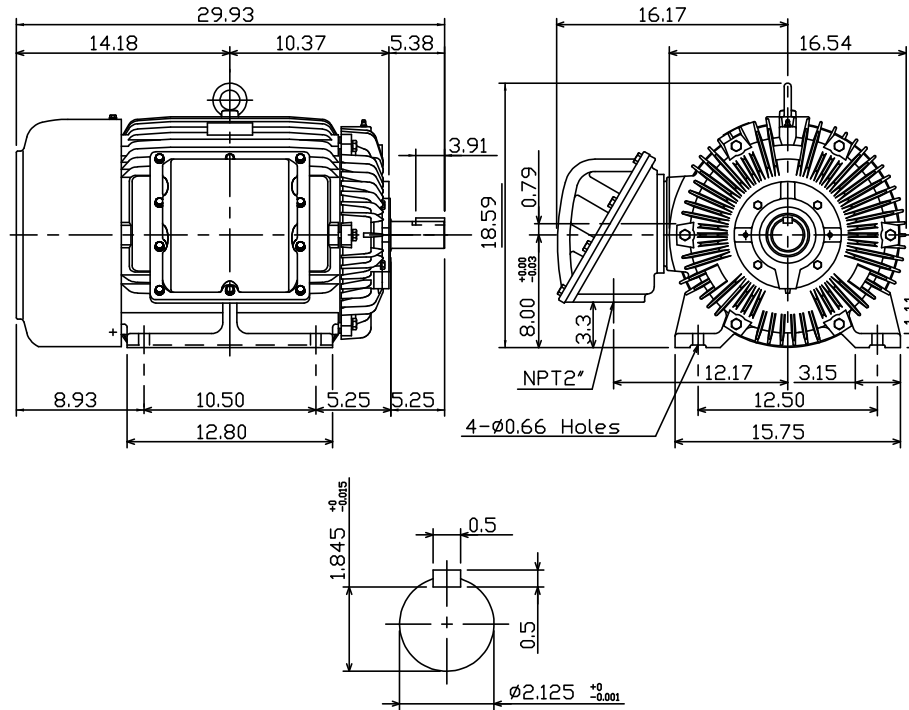
OUTLINE DIMENSIONS

MOTOR TYPE:

3-PHASE INDUCTION MOTOR

FRAME NO. 324T

Totally Enclosed Fan-Cooled Type. Squirrel-Cage Rotor.



Note:

- Explosion-proof:  
Class I Group D and  
Class II Group E.F.G.

**BROOK  
CROMPTON**

DWG NO.