

CATALOG No: **PX4N003-2**

ISSUED: 23-Feb-24

**GENERAL INFORMATION**

HP	KW	Pole	RPM	Frame	Voltage	Hz	Phase	IP Rating
3	-	4	1800	182T	208-230/460 V	60	3	IP55

Enclosure	Ins. Class	Service Factor	Time Rating	NEMA Design	Rated Amb.	Rated Altitude
TEFC	F	1.15	Continuous	A	-15 to 40 C°	<3300 ft

**TYPICAL PERFORMANCE**

Efficiency (%)			Power Factor (%)		
Full Load	3/4 Load	1/2 Load	Full Load	3/4 Load	1/2 Load
89.5	90.0	89.5	81.00	75.00	63.50

LRT%	BDT %	Full Load Amps	Locked Rotor Amps	Full Load RPM
		460 V	460 V	
255	345	3.87	32.00	1760

NEMA KVA Code	Bearing Size		Oil Seal		Sound Level
	Drive End	Non-Drive End	Drive End	Non-Drive End	dB(A)
K	-	-	-	-	-

\*Weights shown are estimated and based on standard foot mounted motor designs

**VFD DUTY INFORMATION**

	Variable Torque	Constant Torque	Rating
CSA Certified	6 - 60 Hz	6 - 60 Hz	UL/CSA Approved Class I Div I Group C & D Class II Groups E, F & G T3B
UL Certified	6 - 60 Hz	12 - 60 Hz	

**Click Link Below For Drawing**

[Drawing Not Available](#)

**Click Link Below For Connection Diagram**

[Connection Diagram Not Available. Please Call 1-800-MOTORS-9](#)

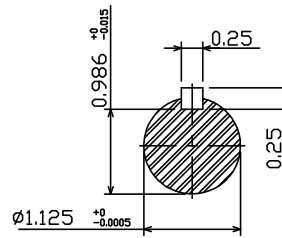
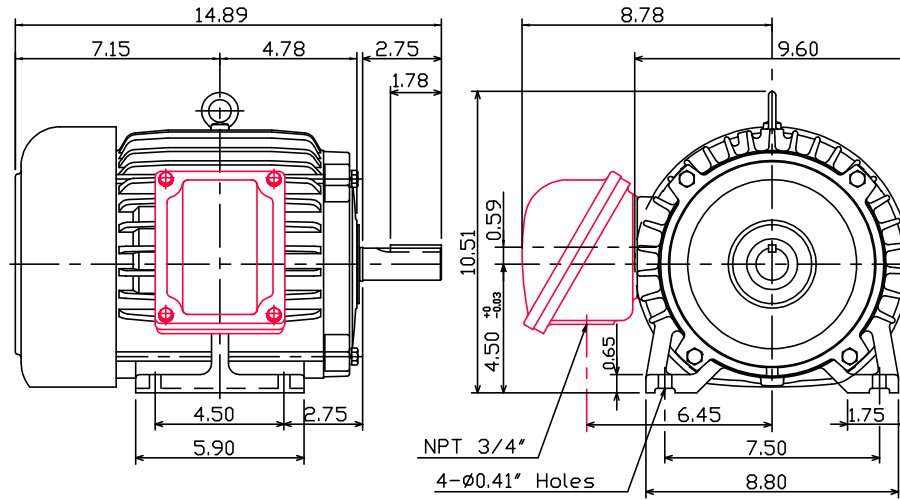
Notes:

OUTLINE DIMENSIONS  
3-PHASE INDUCTION MOTOR

MOTOR TYPE:

FRAME NO. 182T

Totally Enclosed Fan-Cooled Type. Squirrel-Cage Rotor.



- Note:  
1. Explosion-proof:  
Class I Group C,D and  
Class II Group E,F,G.

**BROOK  
CROMPTON**

DWG NO.