

60HZ TECHNICAL DATA SHEET

CATALOG No: **PX2N040-5**

ISSUED: 23-Feb-24

GENERAL INFORMATION

HP	KW	Pole	RPM	Frame	Voltage	Hz	Phase	IP Rating
40	-	2	3600	324TS	575 V	60	3	IP55

Enclosure	Ins. Class	Service Factor	Time Rating	NEMA Design	Rated Amb.	Rated Altitude
TEFC	F	1.15	Continuous	B	-15 to 40 C°	<3300 ft

TYPICAL PERFORMANCE

Efficiency (%)			Power Factor (%)		
Full Load	3/4 Load	1/2 Load	Full Load	3/4 Load	1/2 Load
93.0	93.5	93.0	91.00	91.00	88.00

LRT%	BDT %	Full Load Amps	Locked Rotor Amps	Full Load RPM
		575 V	575 V	
175	240	35.40	232.00	3550

NEMA KVA Code	Bearing Size		Oil Seal		Sound Level
	Drive End	Non-Drive End	Drive End	Non-Drive End	dB(A)
G	-	-	-	-	-

*Weights shown are estimated and based on standard foot mounted motor designs

VFD DUTY INFORMATION

	Variable Torque	Constant Torque	Rating
CSA Certified	6 - 60 Hz	6 - 60 Hz	UL/CSA Approved Class I DIV I Group D Class I Groups E, F & G T3B
UL Certified	6 - 60 Hz	12 - 60 Hz	

Click Link Below For Drawing

[Drawing Not Available](#)

Click Link Below For Connection Diagram

[Connection Diagram Not Available. Please Call 1-800-MOTORS-9](#)

Notes:

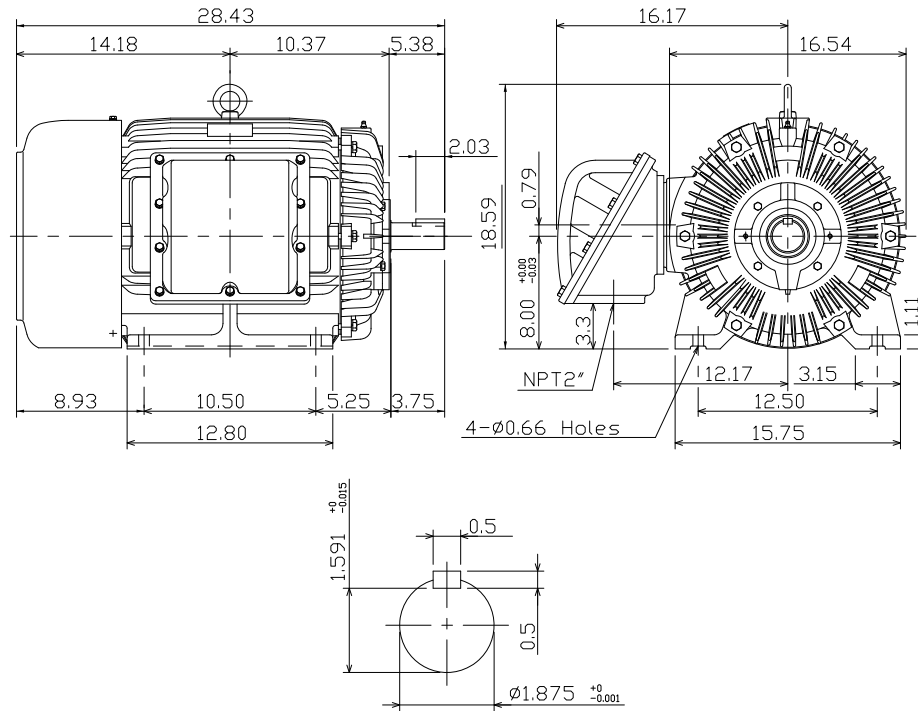
OUTLINE DIMENSIONS

MOTOR TYPE:

3-PHASE INDUCTION MOTOR

FRAME NO. 324TS

Totally Enclosed Fan-Cooled Type. Squirrel-Cage Rotor.



Note:

1. Explosion-proof:
Class I Group D and
Class II Group E,F,G.
2. IP55

**BROOK
CROMPTON**

DWG NO.