

60HZ TECHNICAL DATA SHEET

CATALOG No: **PX2N005-2C**

ISSUED: 23-Feb-24

GENERAL INFORMATION

HP	KW	Pole	RPM	Frame	Voltage	Hz	Phase	IP Rating
5	-	2	3600	184TC	208-230/460 V	60	3	IP55

Enclosure	Ins. Class	Service Factor	Time Rating	NEMA Design	Rated Amb.	Rated Altitude
TEFC	F	1.15	Continuous	B	-15 to 40 C°	<3300 ft

TYPICAL PERFORMANCE

Efficiency (%)			Power Factor (%)		
Full Load	3/4 Load	1/2 Load	Full Load	3/4 Load	1/2 Load
88.5	90.0	90.0	91.00	89.50	83.50

LRT%	BDT %	Full Load Amps	Locked Rotor Amps	Full Load RPM
		460 V	460 V	
260	305	5.81	46.00	3450

NEMA KVA Code	Bearing Size		Oil Seal		Sound Level
	Drive End	Non-Drive End	Drive End	Non-Drive End	dB(A)
J	-	-	-	-	-

*Weights shown are estimated and based on standard foot mounted motor designs

VFD DUTY INFORMATION

	Variable Torque	Constant Torque	Rating
CSA Certified	6 - 60 Hz	6 - 60 Hz	UL/CSA Approved Class I Div I Group C & D Class II Groups E, F & G T3B
UL Certified	6 - 60 Hz	12 - 60 Hz	

Click Link Below For Drawing

[Drawing Not Available](#)

Click Link Below For Connection Diagram

[Connection Diagram Not Available. Please Call 1-800-MOTORS-9](#)

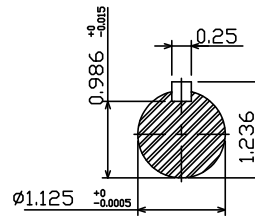
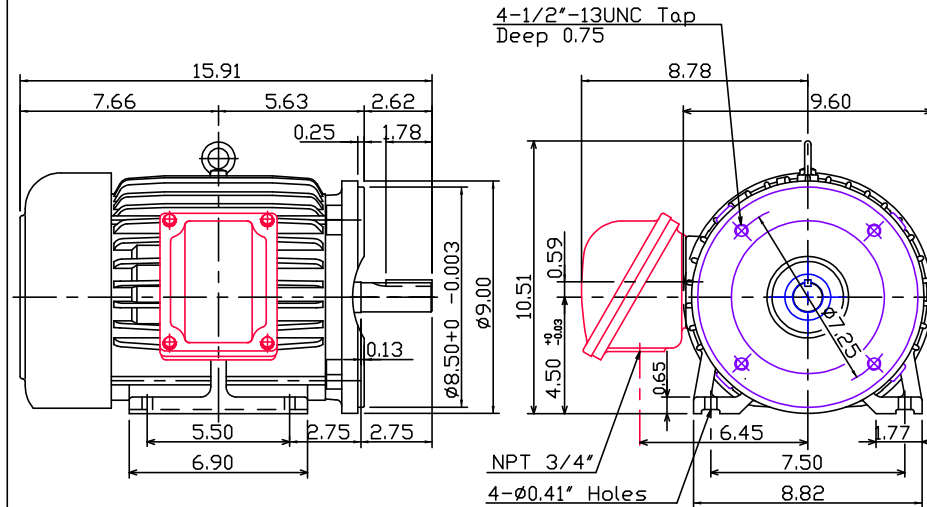
Notes:

OUTLINE DIMENSIONS
3-PHASE INDUCTION MOTOR

MOTOR TYPE:

FRAME NO. 184TC

Totally Enclosed Fan-Cooled Type, Squirrel-Cage Rotor.



Note:
1. Explosion proof:
Class I Group C,D and
Class II Group E,F,G.