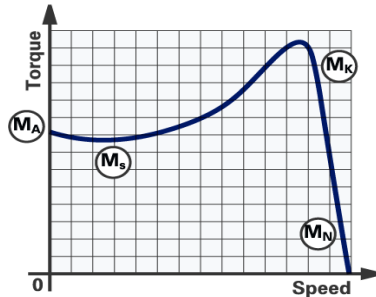

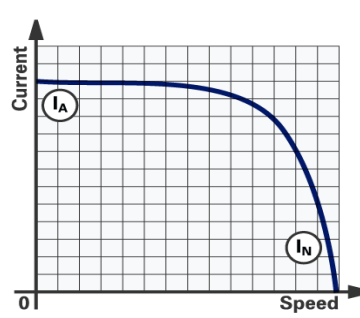
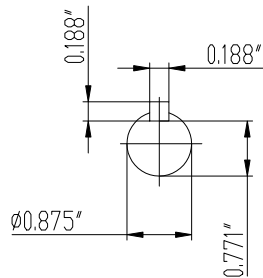
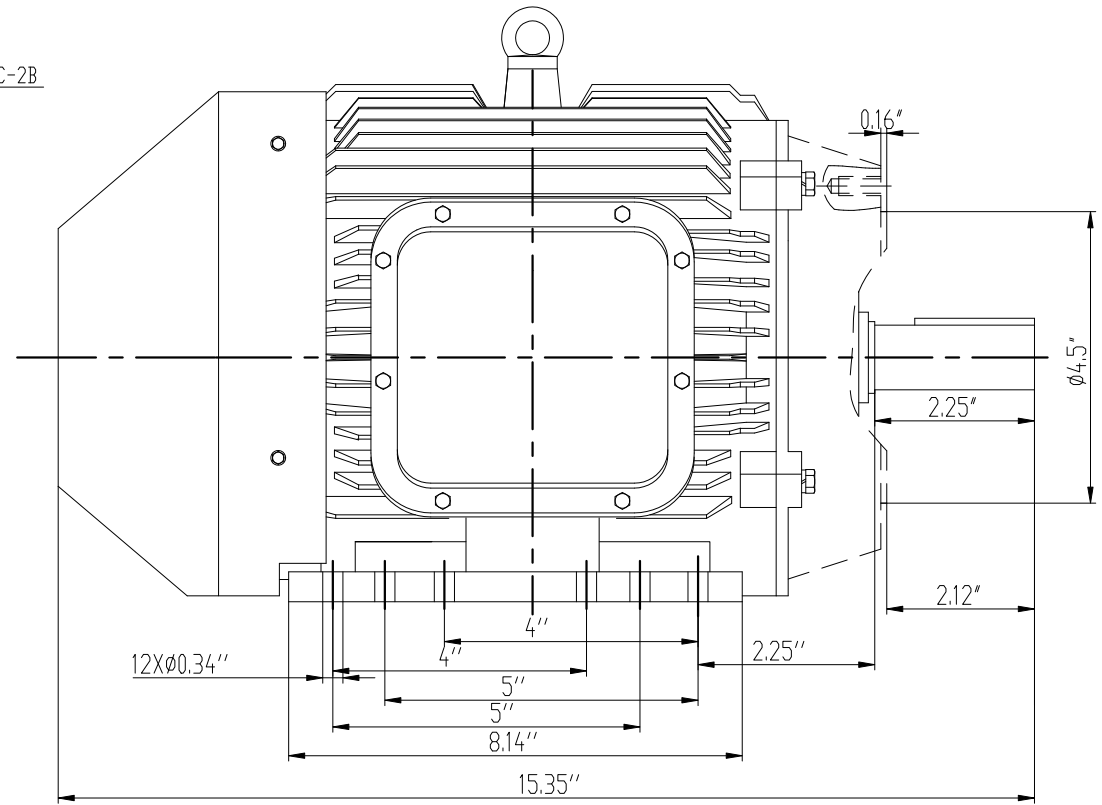
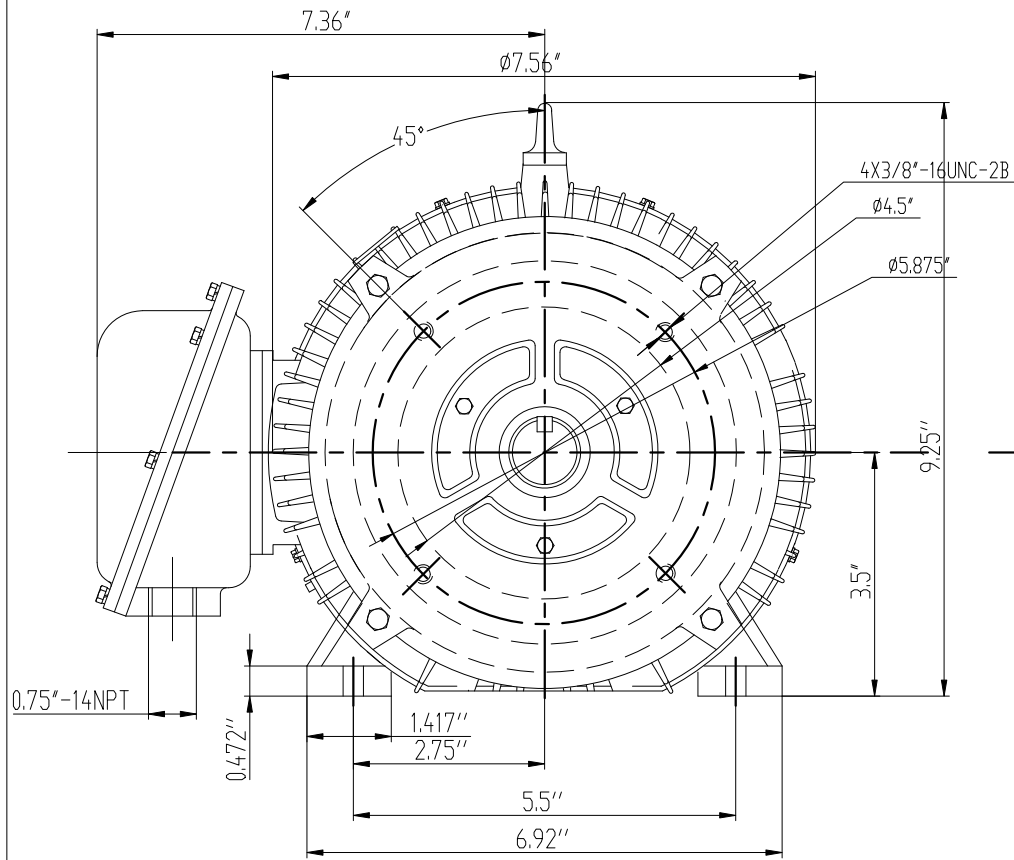


Motor Data Sheet

Supplied To.				Type Code		Frame Ref.	
				MC6N001-5		145T	
Manufacturing Standard NEMA MG-1, IEEE841				Starting Method		Output	
Frame Material Cast Iron		Mounting F1/F2		1		Hp	
All Data Below based on 575V @ 60hz				Variable torque 10:1 Constant torque 5:1		Supply	
Item No.				L.R. PF		575	
Sales order / Line no.				0.578		V	
Account No.				Amps		Connection type	
Load (Hp)				Full		Y	
Efficiency				3/4		1/2	
Power Factor				1175		1155	
Amps (Ia) at 575V				1155		1168	
Speed (rpm)				1175		1155	
Speed / Torque Curve				Duty		Cooling Code	
				S1		TEFC/IC411	
				Efficiency		Insulation	
FLT (Mn)				PREMIUM		F	
LRT (DOL) (Ma/Mn)				3		B	
LRT (DOL) 80% V				Service Factor		cos Ø	
PUT (Ms/Mn)				1.15		0.66	
POT (Mk/Mn)				Noise pressure level at 1m no load		IP	
				55		55	
				DE bearing Ref.		6205/C3	
				NDE bearing Ref.		6205/C3	
				Lubrication grease			
				Lubrication interval (hrs)		DE 8760 NDE 8760	
				Rotor inertia		0.0081 kgm/sq	
				Vibration levels less than		1.8 mm/sec	
				Shaft details		Ø 0.875" x 2.25" LONG EXT'N	
				T.Box entry		0.75"-14NPT	
				Motor weight (Approx. net)		74.97 lb	
				L.R. Time hot		21.9 secs	
				L.R. Time cold		53.8 secs	
				A.R.T. 100% Volts		21.9 secs	
				A.R.T. 80% Volts		46.2 secs	
				Number of terminals		3 wire	
				NEMA Design letter		N	
				Maximum volts drop at start:		20%	
				Maximum Altitude		3300 ft	
				Ambient temp range		-20 - 40 °C	
				Thermal time constant		90 Minutes	
				Direction of rotation		CW/CCW/BI	
				Winding thermistors fitted		As Option °F	
				Winding thermostats fitted		As Option °F	
				Anti condensation heaters		--- Volts	
				Drawing number		1AP.050.0389.7WXY	
				Certifying Authority		CSA (C=US)	
				Certificate No.			
				Marking		 Class 1 Div 2 Grps A,B,C,D	
Speed / Current Curve							
				LRC (DOL) (Ia/In)			
				4.4 FLC 19.3 amps			
LRC (DOL) 80% V				2.8 FLC 4 amps			
External inertia (WR^2)				KGM^2			
No of starts/Hr with above inertia							
Starting time with above inertia				Secs			
Remarks							

1AP.050.0551.1-6WX



				1AP.050.0551.1-6WX	
				NSHE140 MOTOR	
				WEIGHT	SCALE
					1:1
				F-1	
				 Keeping Industry Turning	
LET.	REVISION	BY	DATE		
DESIGN	REN XIADHUA				
REVIEW	XIE XIADLONG				
APPROVE	YU JIABIN				
DATE	20170526				