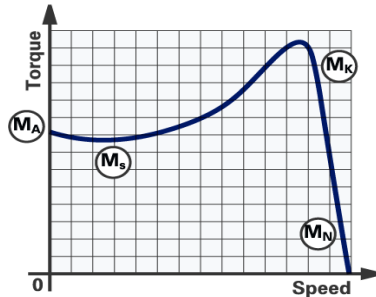
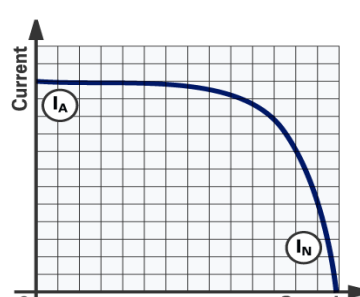

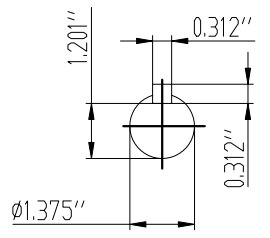
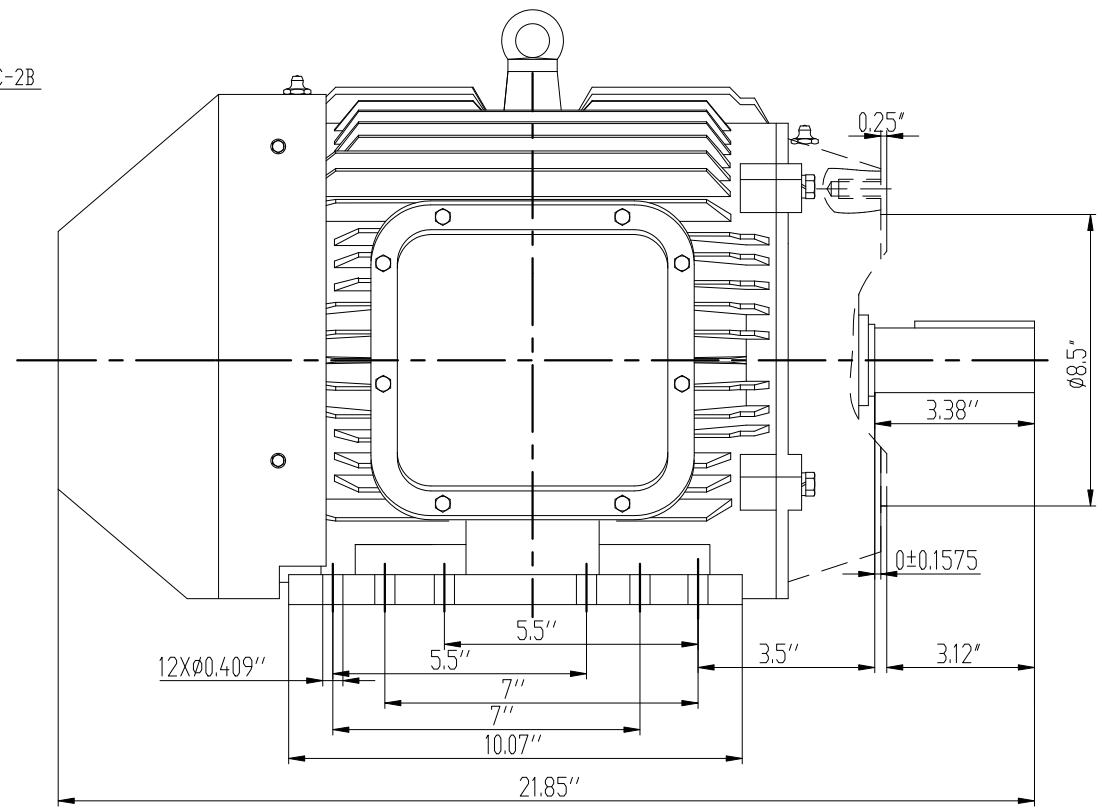
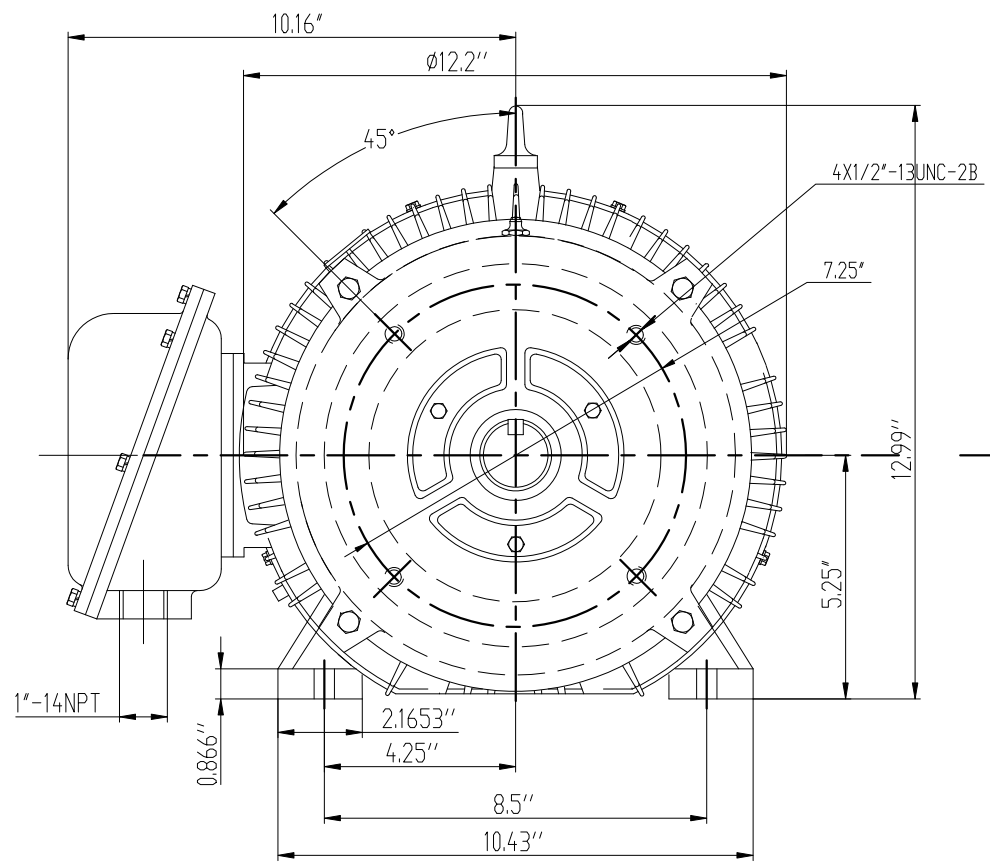


Motor Data Sheet

Supplied To.				Type Code		Frame Ref.	
				MC4N7.5-5C		213TC	
Manufacturing Standard NEMA MG-1, IEEE841				Starting Method		Output	
Frame Material Cast Iron		Mounting F1/F2		7.5		Hp	
All Data Below based on 575V @ 60hz				VFD Duty Variable torque 10:1 Constant torque 5:1		Supply	
Item No.				L.R. PF		575	
Sales order / Line no.				0.385		V	
Account No.				Amps		Connection type	
Load (Hp)				3		D	
Efficiency				3.5		Hertz	
Power Factor				0.2		60	
Amps (Ia) at 575V				Duty		Cooling Code	
Speed (rpm)				S1		TEFC/IC411	
Speed / Torque Curve 				Efficiency		Temperature rise Class	
				PREMIUM		F	
FLT (Mn)				Phase		cos Ø	
LRT (DOL) (Ma/Mn)				3		IP	
LRT (DOL) 80% V				1.15		55	
PUT (Ms/Mn)				Noise pressure level at 1m no load		67	
POT (Mk/Mn)				dB(A)		67	
DE bearing Ref.				6208/C3			
NDE bearing Ref.				6208/C3			
Lubrication grease							
Lubrication interval (hrs)				DE 8470			
				NDE 8470			
Rotor inertia				0.036		kgm/sq	
Vibration levels less than				1.8		mm/sec	
Shaft details				Ø		1.375" x 3.38" LONG EXT'N	
T.Box entry				1"-11.5NPT			
Speed / Current Curve				Motor weight (Approx. net)		255.78	
				L.R. Time hot		29.9	
				secs		L.R. Time cold	
LRC (DOL) (Ia/In)				A.R.T. 100% Volts		29.9	
LRC (DOL) 80% V				A.R.T. 80% Volts		55.7	
External inertia (WR^2)				Number of terminals		3 wire	
No of starts/Hr with above inertia				NEMA Design letter		H	
Starting time with above inertia				Maximum volts drop at start:		20%	
Remarks				Maximum Altitude		3300	
				Ambient temp range		-20 - 40	
				Thermal time constant		90 Minutes	
				Direction of rotation		CW/CCW/BI	
				Winding thermistors fitted		As Option	
				Winding thermostats fitted		As Option	
				Anti condensation heaters		1/120V/60W	
				Drawing number		1AP.050.0391.3WXY	
				Certifying Authority		CSA (C=US)	
				Certificate No.			
				Marking		 Class 1 Div 2 Grps A,B,C,D	

1AP.050.0553.1-8WX



LET.	REVISION	BY	DATE
	DESIGN	REN XIADHUA	
	REVIEW	XIE XIADLONG	
	APPROVE	YU JIABIN	
	DATE	20170524	

NSHE210 MOTOR
F-1

1AP.050.0553.1-8WX

WEIGHT	SCALE
	1:1

BROOK CROMPTON
Keeping Industry Turning