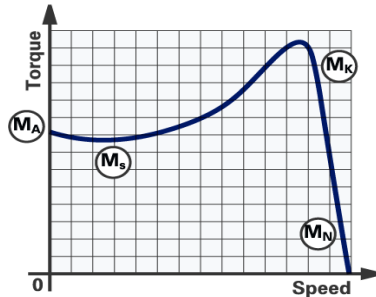

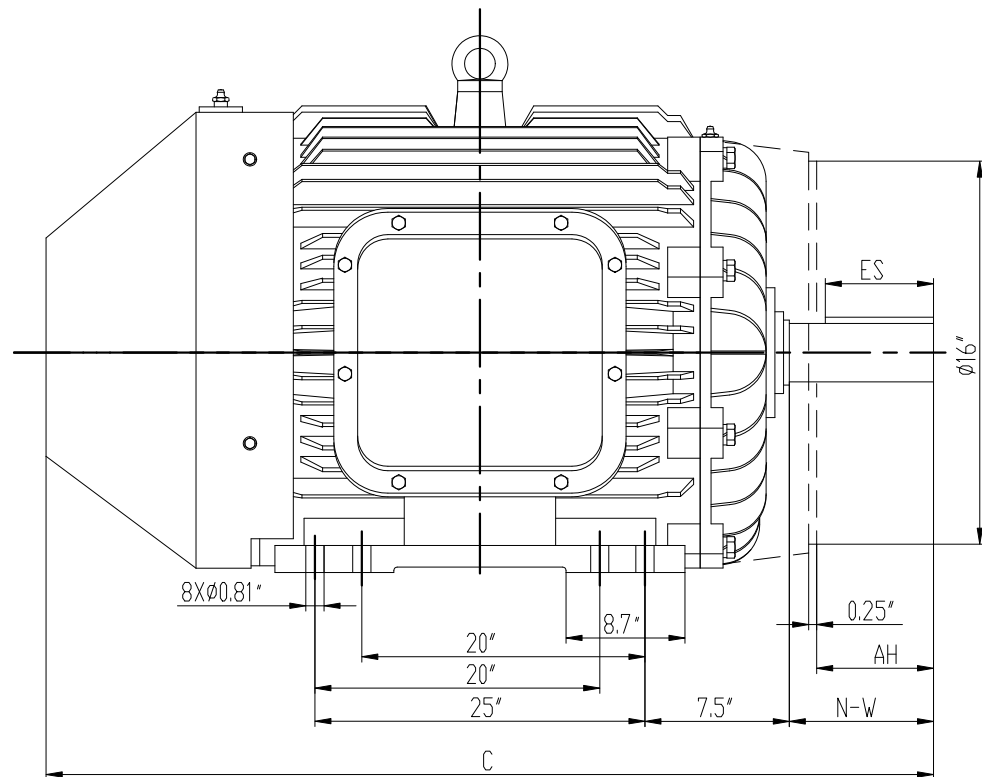
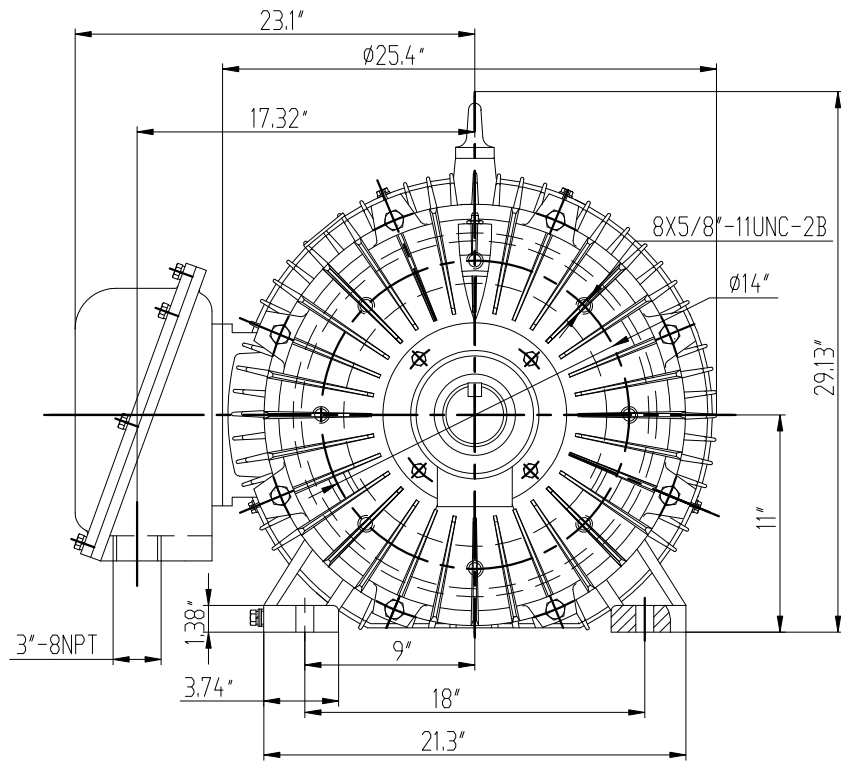


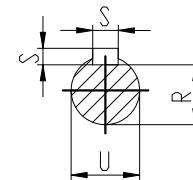
Motor Data Sheet

Supplied To.				Type Code		Frame Ref.																
				MC4N200-5		447T																
Manufacturing Standard NEMA MG-1, IEEE841				Starting Method		Output																
Frame Material Cast Iron		Mounting F1/F2		200		Hp																
All Data Below based on 575V @ 60hz				VFD Duty Variable torque 10:1 Constant torque 5:1		Supply																
Item No.				L.R. PF		575																
Sales order / Line no.				0.233		V																
Account No.				Amps		Connection type																
Load (Hp)				31.9		D																
Efficiency				N.L. amps		Hertz																
Power Factor				31.9		60																
Amps (Ia) at 575V				N.L. PF		Poles/rpm																
Speed (rpm)				0.2		4 / 1800																
Speed / Torque Curve				Duty		Cooling Code																
				S1		TEFC/IC411																
				Efficiency PREMIUM		Insulation F		Temperature rise Class B														
FLT (Mn)				Phase		cos Ø																
LRT (DOL) (Ma/Mn)				3		IP																
LRT (DOL) 80% V				Service Factor		0.85																
PUT (Ms/Mn)				1.15		85																
POT (Mk/Mn)				Noise pressure level at 1m no load		dB(A)																
<table border="1"> <tr> <td>Full</td> <td>3/4</td> <td>1/2</td> </tr> <tr> <td>96.2</td> <td>96.2</td> <td>95.8</td> </tr> <tr> <td>0.85</td> <td>0.85</td> <td>0.85</td> </tr> <tr> <td>178.4</td> <td>109.8</td> <td>73.8</td> </tr> <tr> <td>1789</td> <td>1792</td> <td>1794</td> </tr> </table>				Full	3/4	1/2	96.2	96.2	95.8	0.85	0.85	0.85	178.4	109.8	73.8	1789	1792	1794	DE bearing Ref.		NU318	
Full	3/4	1/2																				
96.2	96.2	95.8																				
0.85	0.85	0.85																				
178.4	109.8	73.8																				
1789	1792	1794																				
				NDE bearing Ref.		6314/C3																
				Lubrication grease																		
				Lubrication interval (hrs)																		
				DE 4600																		
				NDE 5940																		
				Rotor inertia																		
				3.5																		
				Vibration levels less than																		
				2.2																		
				Shaft details																		
				Ø 3.375" x 8.5" LONG EXT'N																		
				T.Box entry																		
				3"-8NPT																		
				Motor weight (Approx. net)																		
				2376.99																		
				L.R. Time hot																		
				55.8																		
				L.R. Time cold																		
				95.5																		
				A.R.T. 100% Volts																		
				55.8																		
				A.R.T. 80% Volts																		
				100.4																		
				Number of terminals																		
				3 wire																		
				NEMA Design letter																		
				G																		
				Maximum volts drop at start:																		
				20%																		
				Maximum Altitude																		
				3300																		
				Ambient temp range																		
				-20 - 40 °C																		
				Thermal time constant																		
				90 Minutes																		
				Direction of rotation																		
				CW/CCW/BI																		
				Winding thermistors fitted																		
				As Option																		
				Winding thermostats fitted																		
				As Option																		
				Anti condensation heaters																		
				1/120V/75W																		
				Drawing number																		
				1AP.050.0278.5WXY																		
				Certifying Authority																		
				CSA (C=US)																		
				Certificate No.																		
				Marking																		
				 Class 1 Div 2 Grps A,B,C,D																		
				Remarks																		

1AP.050.0560.1-10WXY



MODEL	U	R	S	N-W	C	C	ES	AH
NSHE447TS/TSC-2 200HP	φ2.375"	2.021"	0.625"	4.75"	51"	50.79"	3.03"	4.5"
NSHE449TS/TSC-2 250HP						51.97"		
NSHE447TS/TSC-4 200HP						51.97"		
NSHE449TS/TSC-4 250HP	φ3.375"	2.88"	0.875"	8.5"	54.92"	55.71"	6.93"	8.25"
NSHE447T/TC -4 200HP								
NSHE449T/TC -4 250HP								
NSHE447T/TC-6 150HP								
NSHE449T/TC -6 200HP								
NSHE447T/TC-8 125HP	φ3.375"	2.88"	0.875"	8.5"	54.92"	55.71"	6.93"	8.25"
NSHE449T/TC -8 150HP								



				NSHE447/9 MOTOR		1AP.050.0560.1-10WXY	
						WEIGHT	SCALE
							1:1
LET. REVISION BY DATE							
DESIGN REN XIADHUA							
REVIEW XIE XIADLONG							
APPROVE YU JIABIN							
DATE 20170522				F-1			