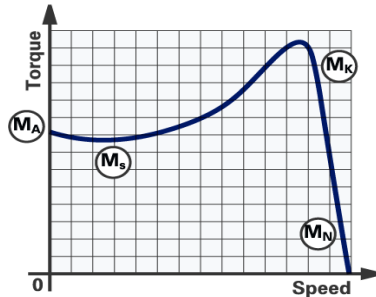
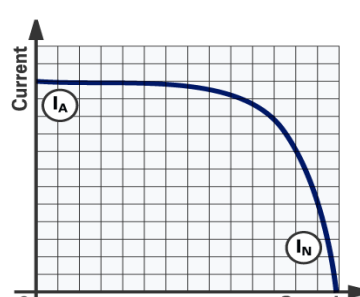

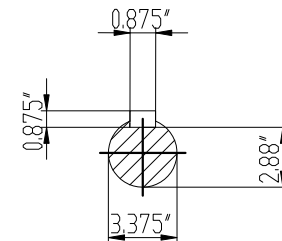
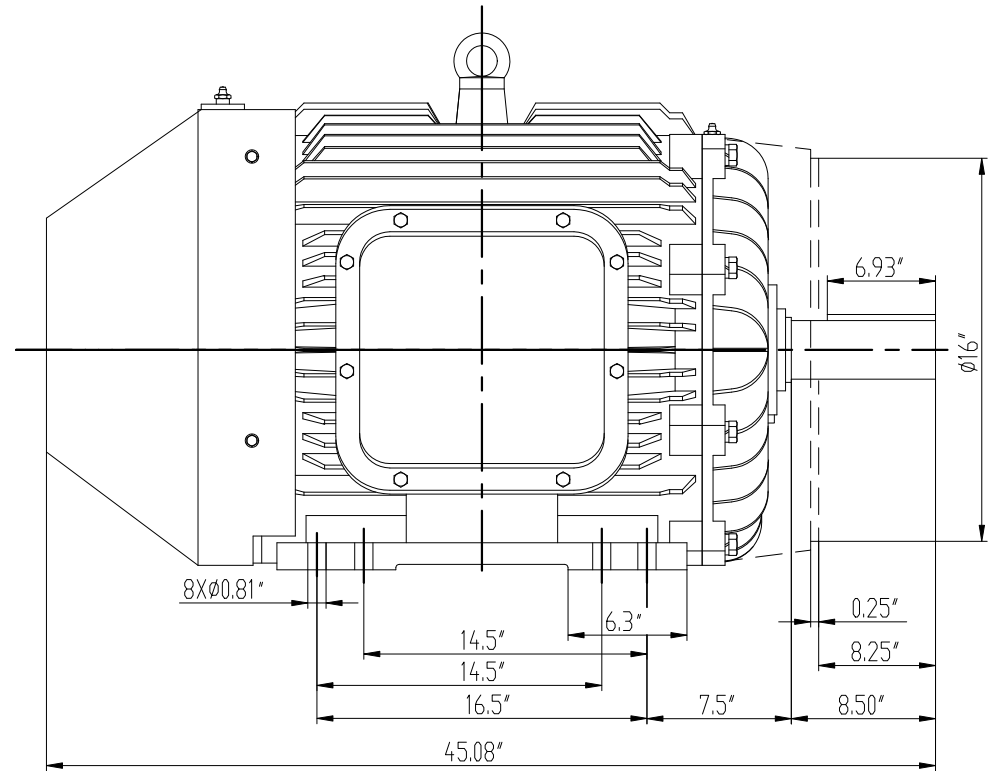
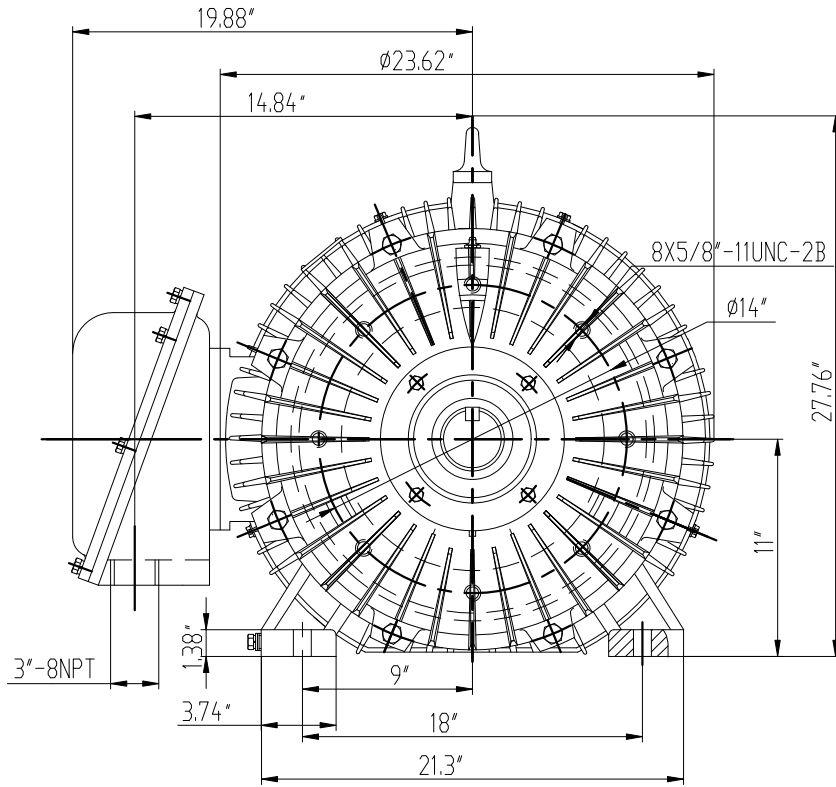


Motor Data Sheet

Supplied To.				Type Code		Frame Ref.	
				MC4N125-9		444T	
Manufacturing Standard NEMA MG-1, IEEE841				Starting Method		Output	
Frame Material Cast Iron		Mounting F1/F2		125		Hp	
All Data Below based on 460V @ 60hz				VFD Duty Variable torque 10:1 Constant torque 5:1		Supply 460	
Item No.				L.R. PF 0.246		Connection type D	
Sales order / Line no.				Amps @460V 133.0			
Account No.				N.L. amps 20.6		Hertz 60	
Load (Hp)		Full	3/4	1/2	N.L. PF 0.2		Poles/rpm 4 / 1800
Efficiency		95.4	95.4	94.8	Duty S1		Cooling Code TEFC/IC411
Power Factor		0.85	0.85	0.85	Efficiency PREMIUM		Insulation F
Amps (Ia) at 460V		133.0	108.1	73.0	Phase 3		Service Factor 1.15
Speed (rpm)		1789	1792	1794	cos Ø 0.85		IP 55
Speed / Torque Curve				Noise pressure level at 1m no load 83 dB(A)			
				DE bearing Ref. 6318/C3			
				NDE bearing Ref. 6314/C3			
FLT (Mn)				Lubrication grease			
364.7 ft-lb				Lubrication interval (hrs)			
LRT (DOL) (Ma/Mn)				DE 4700			
1.5 FLT 550.7 ft-lb				NDE 5940			
LRT (DOL) 80% V				Rotor inertia			
1.0 FLT 352.5 ft-lb				2.4 kgm/sq			
PUT (Ms/Mn)				Vibration levels less than			
0.6 FLT 236.7 ft-lb				2.2 mm/sec			
POT (Mk/Mn)				Shaft details			
2.3 FLT 837.4 ft-lb				Ø 3.375" x 8.50" LONG EXT'N			
				T.Box entry			
				3"-8NPT			
				Motor weight (Approx. net)			
				1580.985 lb			
Speed / Current Curve				L.R. Time hot			
				48.1 secs			
				L.R. Time cold			
				82.3 secs			
				A.R.T. 100% Volts			
				48.1 secs			
				A.R.T. 80% Volts			
				100.7 secs			
LRC (DOL) (Ia/In)				Number of terminals			
6.2 FLC 2259.5 amps				3 wire			
LRC (DOL) 80% V				NEMA Design letter			
3.3 FLC 444 amps				G			
External inertia (WR^2)				Maximum volts drop at start:			
KGM^2				20%			
No of starts/Hr with above inertia				Maximum Altitude			
				3300 ft			
Starting time with above inertia				Ambient temp range			
Secs				-20 - 40 °C			
Remarks				Thermal time constant			
				90 Minutes			
				Direction of rotation			
				CW/CCW/BI			
				Winding thermistors fitted			
				As Option °F			
				Winding thermostats fitted			
				As Option °F			
				Anti condensation heaters			
				1/120V/75W Volts			
				Drawing number			
				1AP.050.0231.5WXY			
				Certifying Authority			
				CSA (C=US)			
				Certificate No.			
				Marking			
				 Class 1 Div 2 Grps A,B,C,D			

1AP.050.0559.1-10WXY



MODEL	U	R	S	N-W	C	ES	AH
NSHE444TS/TSC-2 125HP	2.375"	2.021"	0.625"	4.75"	41.34"	3.03"	4.5"
NSHE445TS/TSC-2 150HP							
NSHE444TS/TSC-4 125HP							
NSHE445TS/TSC-4 150HP	3.375"	2.88"	0.875"	8.50"	45.08"	6.93"	8.25"
NSHE444T/TC-4 125HP							
NSHE445T/TC-4 150HP							
NSHE444T/TC-6 100HP							
NSHE445T/TC-6 125HP							
NSHE444T/TC-8 75HP							
NSHE445T/TC-8 100HP							

				NSHE444/5 MOTOR		1AP.050.0559.1-10WXY	
						WEIGHT	SCALE
							1:1
LET. REVISION				BY		DATE	
DESIGN				REN XIADHUA			
REVIEW				XIE XIADLONG			
APPROVE				YU JIABIN			
DATE				20170522			
				F-1		 Keeping Industry Turning	