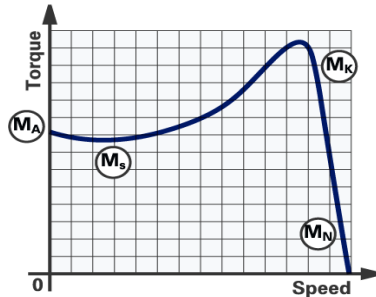
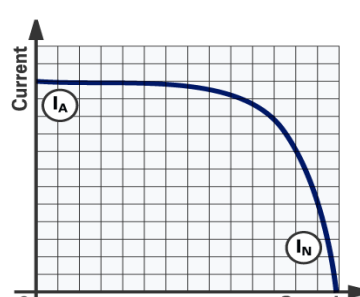

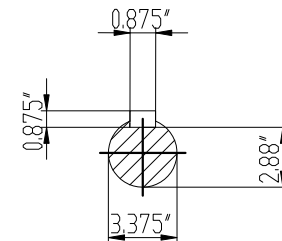
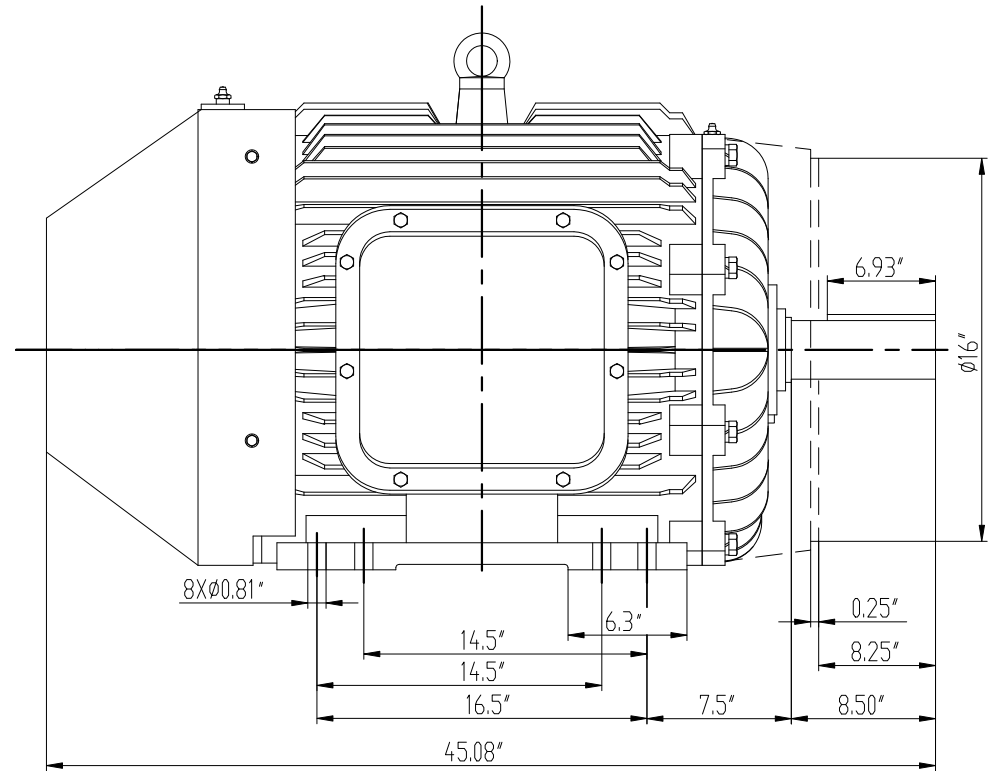
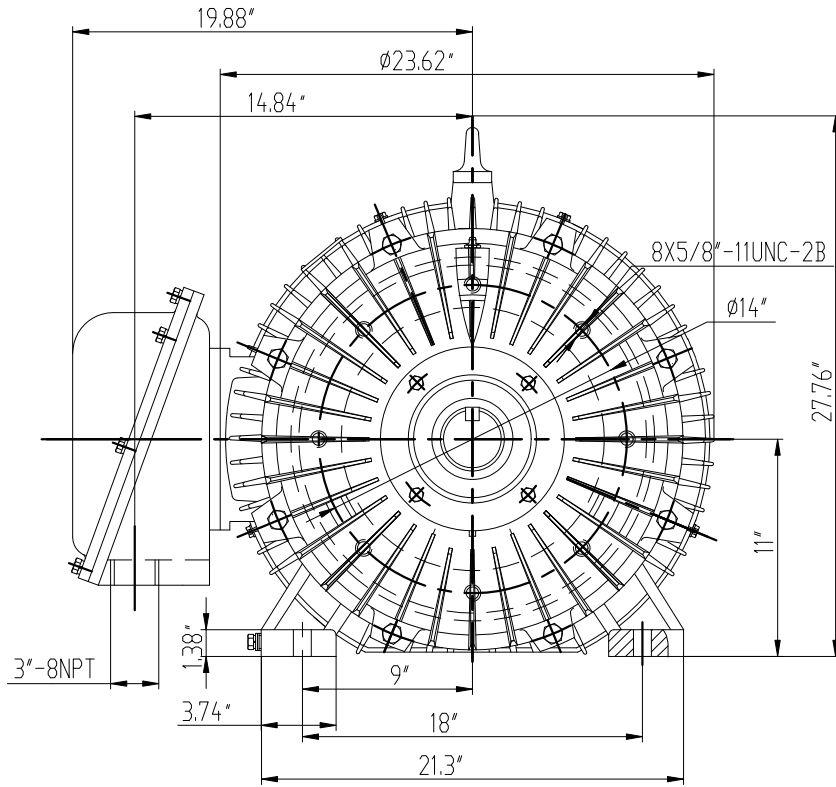


Motor Data Sheet

Supplied To.				Type Code		Frame Ref.	
				MC4N125-5		444T	
Manufacturing Standard NEMA MG-1, IEEE841				Starting Method		Output	
Frame Material Cast Iron		Mounting F1/F2		125		Hp	
All Data Below based on 575V @ 60hz				VFD Duty Variable torque 10:1 Constant torque 5:1		Supply 575	
Item No.				L.R. PF 0.246		Connection type D	
Sales order / Line no.				Amps @575V 106.4			
Account No.				N.L. amps 20.6		Hertz 60	
Load (Hp)		Full	3/4	1/2	N.L. PF 0.2		Poles/rpm 4 / 1800
Efficiency		95.4	95.4	94.8	Duty S1		Cooling Code TEFC/IC411
Power Factor		0.85	0.85	0.85	Efficiency PREMIUM		Insulation F
Amps (Ia) at 575V		106.4	69.2	46.7	Phase 3		Service Factor 1.15
Speed (rpm)		1789	1792	1794	cos Ø 0.85		IP 55
Speed / Torque Curve 				Noise pressure level at 1m no load 83		dB(A)	
				DE bearing Ref. 6318/C3		NDE bearing Ref. 6314/C3	
FLT (Mn)				364.7		ft-lb	
LRT (DOL) (Ma/Mn)		1.5	FLT	550.7	Rotor inertia 2.4		kgm/sq
LRT (DOL) 80% V		1.0	FLT	352.5	Vibration levels less than 2.2		mm/sec
PUT (Ms/Mn)		0.6	FLT	236.7	Shaft details Ø		3.375" x 8.50" LONG EXT'N
POT (Mk/Mn)		2.3	FLT	837.4	T.Box entry 3"-8NPT		
Speed / Current Curve 				Motor weight (Approx. net) 1580.985		lb	
				L.R. Time hot 48.1		secs	
LRC (DOL) (Ia/In)		6.2	FLC	2259.5	L.R. Time cold 82.3		secs
LRC (DOL) 80% V		3.3	FLC	355	A.R.T. 100% Volts 48.1		secs
External inertia (WR^2) KGM^2				A.R.T. 80% Volts 100.7		secs	
No of starts/Hr with above inertia				Number of terminals 3 wire			
Starting time with above inertia Secs				NEMA Design letter G			
Remarks				Maximum volts drop at start: 20%			
				Maximum Altitude 3300		ft	
				Ambient temp range -20 - 40		°C	
				Thermal time constant 90 Minutes			
				Direction of rotation CW/CCW/BI			
				Winding thermistors fitted As Option		°F	
				Winding thermostats fitted As Option		°F	
				Anti condensation heaters 1/120V/75W		Volts	
				Drawing number 1AP.050.0231.5WXY			
				Certifying Authority CSA (C=US)			
				Certificate No.			
				Marking  Class 1 Div 2 Grps A,B,C,D			

1AP.050.0559.1-10WXY



MODEL	U	R	S	N-W	C	ES	AH
NSHE444TS/TSC-2 125HP	2.375"	2.021"	0.625"	4.75"	41.34"	3.03"	4.5"
NSHE445TS/TSC-2 150HP							
NSHE444TS/TSC-4 125HP							
NSHE445TS/TSC-4 150HP	3.375"	2.88"	0.875"	8.50"	45.08"	6.93"	8.25"
NSHE444T/TC-4 125HP							
NSHE445T/TC-4 150HP							
NSHE444T/TC-6 100HP							
NSHE445T/TC-6 125HP							
NSHE444T/TC-8 75HP							
NSHE445T/TC-8 100HP							

						1AP.050.0559.1-10WXY	
				NSHE444/5 MOTOR		WEIGHT	SCALE
				F-1			1:1
LET	REVISION	BY	DATE				
		REN XIADHUA					
		XIE XIADLONG					
		YU JIABIN					
			20170522				