

CATALOG No: **BC6N015V4D**

ISSUED: 14-Mar-24

**GENERAL INFORMATION**

HP	KW	Pole	RPM	Frame	Voltage	Hz	Phase	IP Rating
15	11.00	6	1200	284TD	230/460 V	60	3	IP55

Enclosure	Ins. Class	Service Factor	Time Rating	NEMA Design	Rated Amb.	Rated Altitude
TEFC	F	1.25	Continuous	B	-15 to 40 C°	<3300 ft

**TYPICAL PERFORMANCE**

Efficiency (%)			Power Factor (%)		
Full Load	3/4 Load	1/2 Load	Full Load	3/4 Load	1/2 Load
91.7	91.9	91.4	0.83	0.78	0.67

LRT%	BDT %	Full Load Amps	Locked Rotor Amps	Full Load RPM
		460 V	460 V	
150	280	18.10	112.94	1180

NEMA KVA Code	Bearing Size		Oil Seal		Sound Level
	Drive End	Non-Drive End	Drive End	Non-Drive End	dB(A)
G	63102Z	63082Z	-	-	-

\*Weights shown are estimated and based on standard foot mounted motor designs

**VFD DUTY INFORMATION**

	Variable Torque	Constant Torque	Rating
-	6 - 60 Hz	12 - 60 Hz	CSA Approved Class I; Div 2; Groups A, B, C, & D, T3 With VFD
-	-	-	

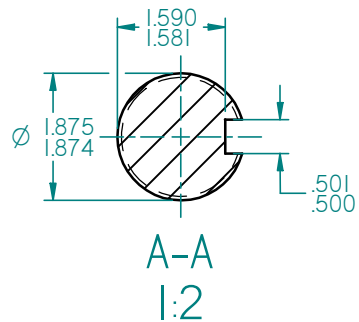
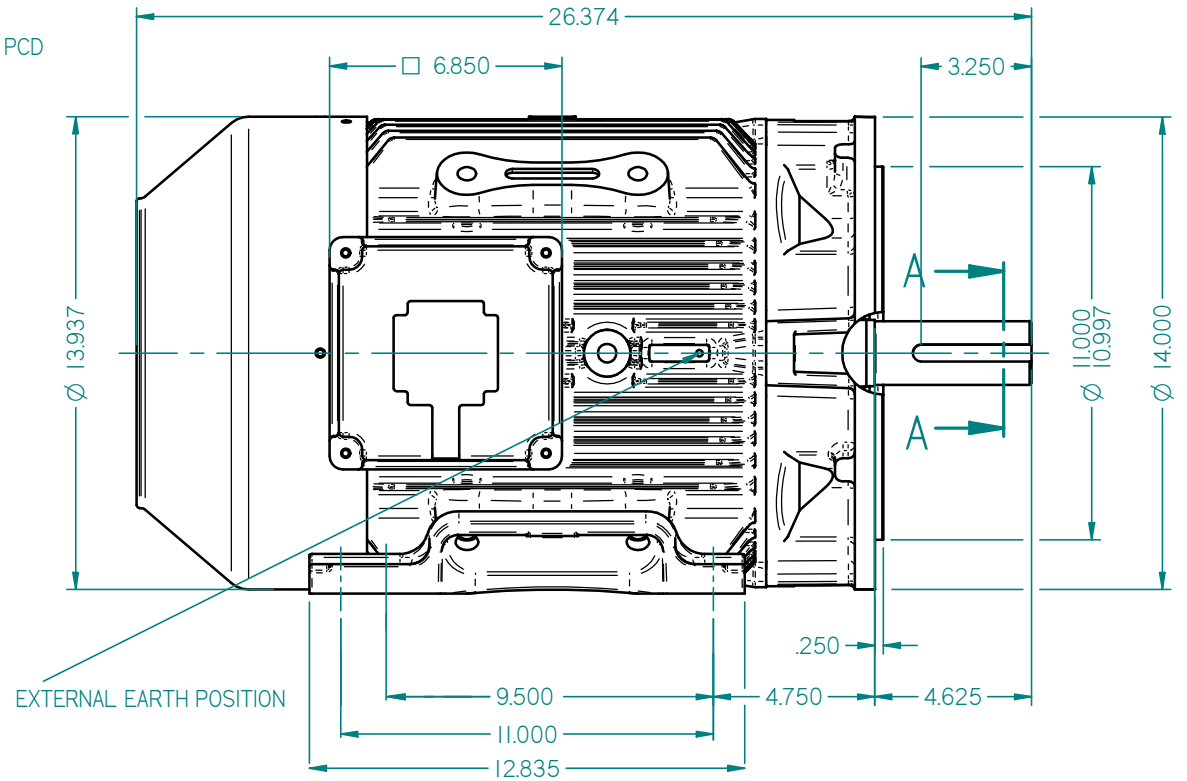
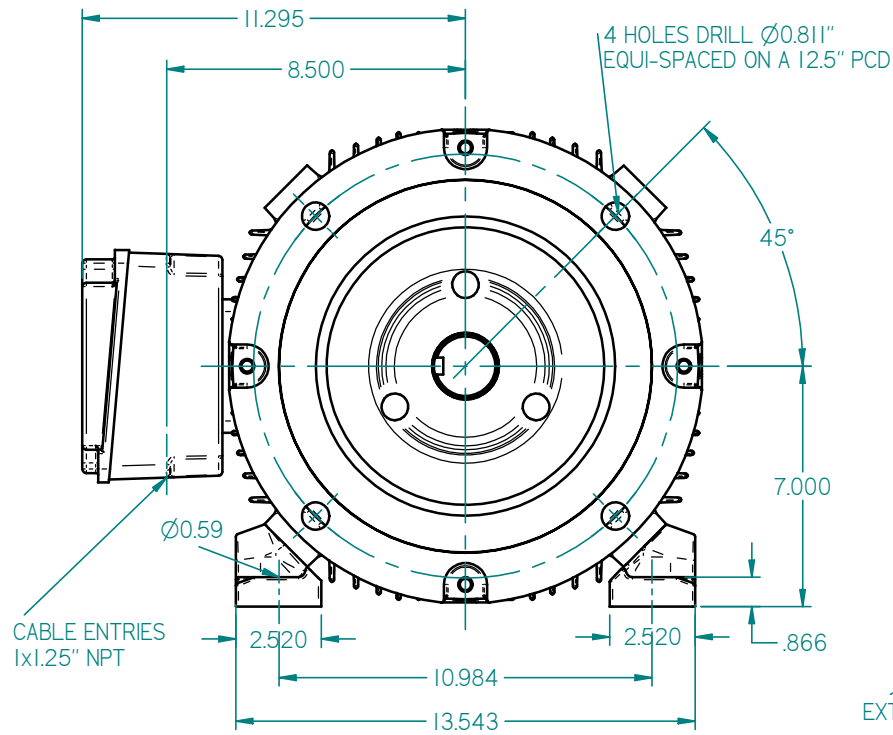
**Click Link Below For Drawing**

[Drawing Not Available](#)

**Click Link Below For Connection Diagram**

<http://www.brookcrompton.com/Connections/Connection%20Diagram%2012%20Lead%20X4%20NEMA.pdf>

Notes:



STANDARD TERMINAL BOX POSITION IS 9 O'CLOCK AS SHOWN.  
 CONDUIT ENTRIES:- TERMINAL BOX CAN BE ROTATED AT 90° INTERVALS  
 (CONDUIT ENTRY POSITION SHOWN FOR ILLUSTRATION ONLY)

ALL DIMENSIONS IN INCHES

FIRST ANGLE PROJECTION

**BROOK CROMPTON**

SHEET SIZE

A3

TITLE:

OUTLINE DIMENSION DRAWING W CAST IRON TOTALLY ENCLOSED FAN COOLED W-DF284/6TD FRAME FOOT & D FLANGE MOUNTED MOTOR

	NAME	DATE
DRAWN	DL	09-01-13
CHECKED		
SCALE	1 : 4	

DRG. No.	
DRG. REF.	
REVISION:	DATE: