

60HZ TECHNICAL DATA SHEET

CATALOG No: **BC4N002V5C**

ISSUED: 14-Mar-24

GENERAL INFORMATION

| HP | KW | Pole | RPM | Frame | Voltage | Hz | Phase | IP Rating |
|----|------|------|------|-------|---------|----|-------|-----------|
| 2 | 1.50 | 4 | 1800 | 145TC | 575 V | 60 | 3 | IP55 |

| Enclosure | Ins. Class | Service Factor | Time Rating | NEMA Design | Rated Amb. | Rated Altitude |
|-----------|------------|----------------|-------------|-------------|--------------|----------------|
| TEFC | F | 1.25 | Continuous | B | -15 to 40 C° | <3300 ft |

TYPICAL PERFORMANCE

| Efficiency (%) | | | Power Factor (%) | | |
|----------------|----------|----------|------------------|----------|----------|
| Full Load | 3/4 Load | 1/2 Load | Full Load | 3/4 Load | 1/2 Load |
| 86.5 | 86.9 | 85.9 | 0.82 | 0.76 | 0.65 |

| LRT% | BDT % | Full Load Amps | Locked Rotor Amps | Full Load RPM |
|------|-------|----------------|-------------------|---------------|
| | | 575 V | 575 V | |
| 240 | 320 | 2.12 | 13.57 | 1735 |

| NEMA KVA Code | Bearing Size | | Oil Seal | | Sound Level |
|---------------|--------------|---------------|-----------|---------------|-------------|
| | Drive End | Non-Drive End | Drive End | Non-Drive End | dB(A) |
| H | 62052Z | 62032Z | - | - | - |

*Weights shown are estimated and based on standard foot mounted motor designs

VFD DUTY INFORMATION

| | Variable Torque | Constant Torque | Rating |
|---|-----------------|-----------------|---|
| - | 6 - 60 Hz | 12 - 60 Hz | CSA Approved Class I; Div 2; Groups A, B, C, & D, T3 With VFD |
| - | - | - | |

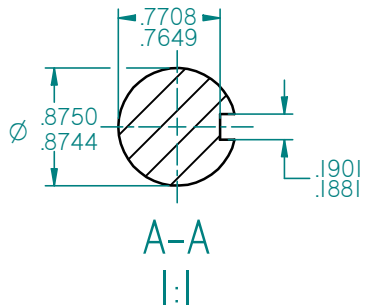
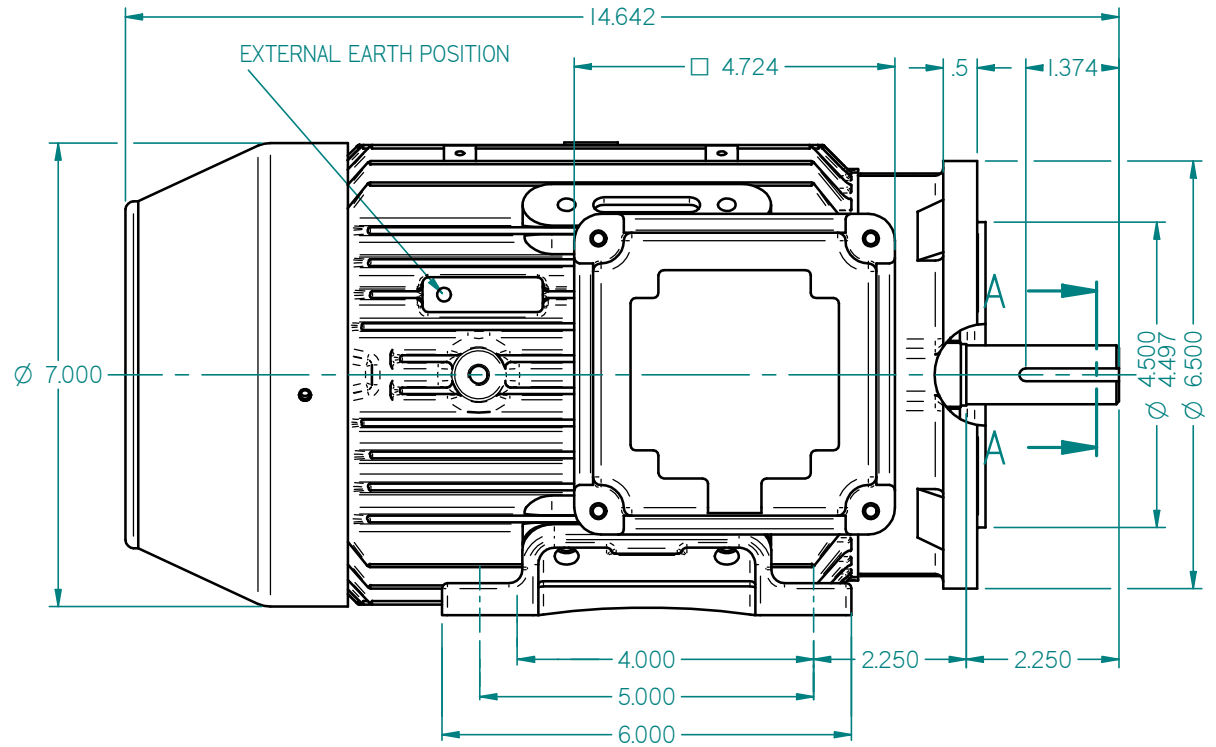
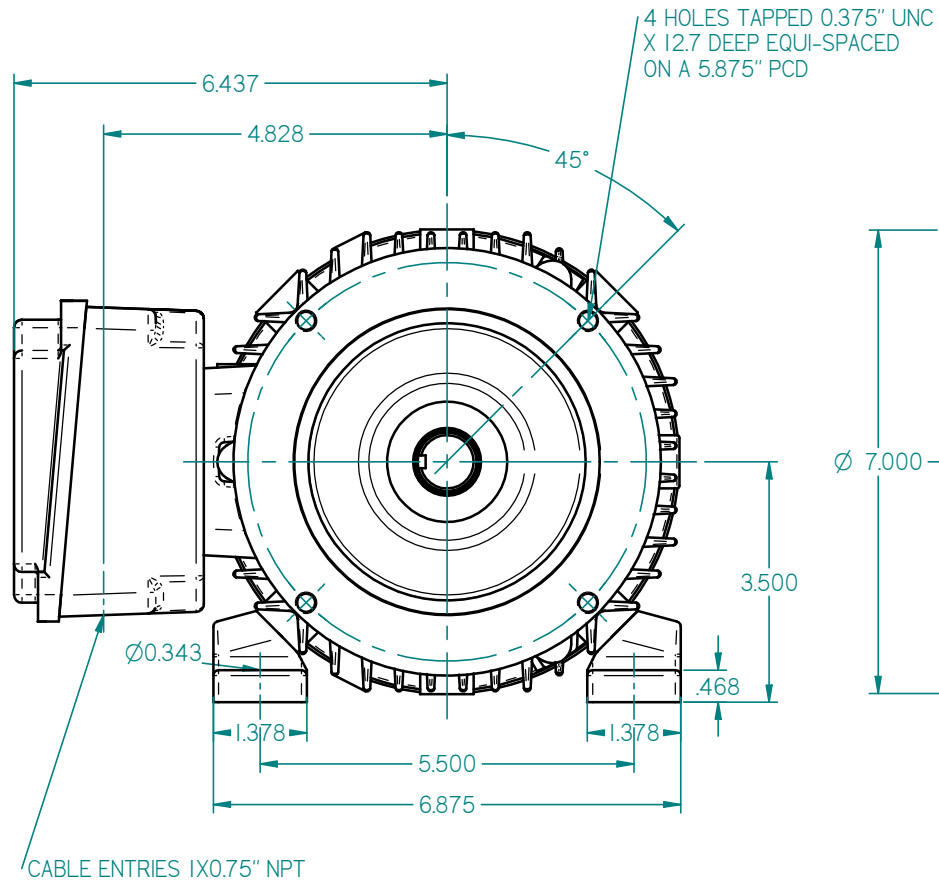
Click Link Below For Drawing

[Drawing Not Available](#)

Click Link Below For Connection Diagram

<http://www.brookcrompton.com/Connections/Connection%20Diagram%203%20Lead%20575%20NEMA.pdf>

Notes:



STANDARD TERMINAL BOX POSITION IS 9 O'CLOCK AS SHOWN.
 CONDUIT ENTRIES:- TERMINAL BOX CAN BE ROTATED AT 90° INTERVALS
 (CONDUIT ENTRY POSITION SHOWN FOR ILLUSTRATION ONLY)

ALL DIMENSIONS IN INCHES

FIRST ANGLE PROJECTION

BROOK CROMPTON

SHEET SIZE: **A3**

TITLE: **OUTLINE DIMENSION DRAWING W CAST IRON TOTALLY ENCLOSED FAN COOLED WP-DF143/5TC- FRAME FOOT & C FLANGE MOUNTED MOTOR**

| | | | |
|---------|-------|----------|-----------|
| | NAME | DATE | DRG. No. |
| DRAWN | DL | 23-11-12 | DRG. REF. |
| CHECKED | | | REVISION: |
| SCALE | 1 : 2 | | DATE: |