

CATALOG No: **BC4M200-5**

ISSUED: 28-Feb-24

GENERAL INFORMATION

HP	KW	Pole	RPM	Frame	Voltage	Hz	Phase	IP Rating
200	150.00	4	1800	315M	575 V	60	3	IP55

Enclosure	Ins. Class	Service Factor	Time Rating	NEMA Design	Rated Amb.	Rated Altitude
TEFC	F	1.25	Continuous	B	-15 to 40 C°	<3300 ft

TYPICAL PERFORMANCE

Efficiency (%)			Power Factor (%)		
Full Load	3/4 Load	1/2 Load	Full Load	3/4 Load	1/2 Load
96.2	96.0	95.3	0.88	0.89	0.82

LRT%	BDT %	Full Load Amps	Locked Rotor Amps	Full Load RPM
		575 V	575 V	
220	210	176.80	1326.00	1780

NEMA KVA Code	Bearing Size		Oil Seal		Sound Level
	Drive End	Non-Drive End	Drive End	Non-Drive End	dB(A)
-	6319.00	6319.00	90 x 120 x 12	90 x 120 x 12	73

*Weights shown are estimated and based on standard foot mounted motor designs

VFD DUTY INFORMATION

	Variable Torque	Constant Torque	Rating
-	3 - 60 Hz	4 - 60 Hz	CSA Approved Class I; Div 2; Groups A, B, C, & D, T3
-	-	-	

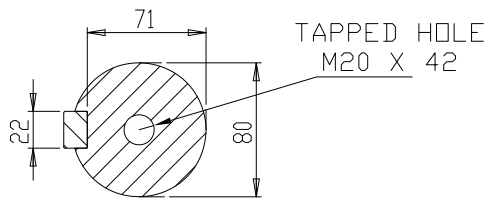
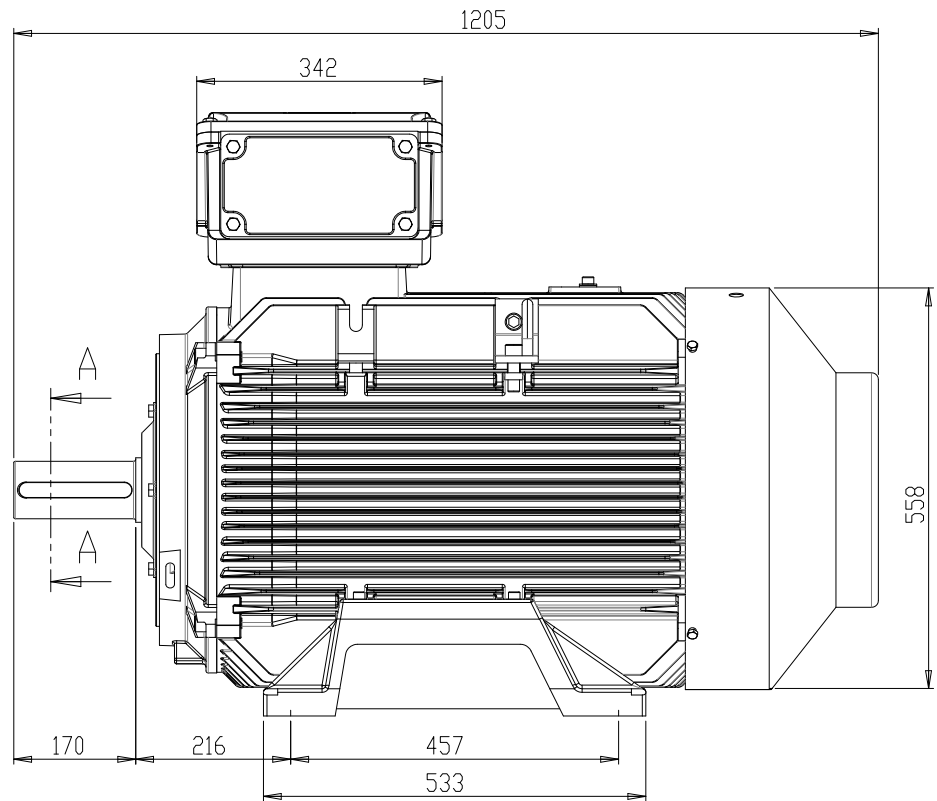
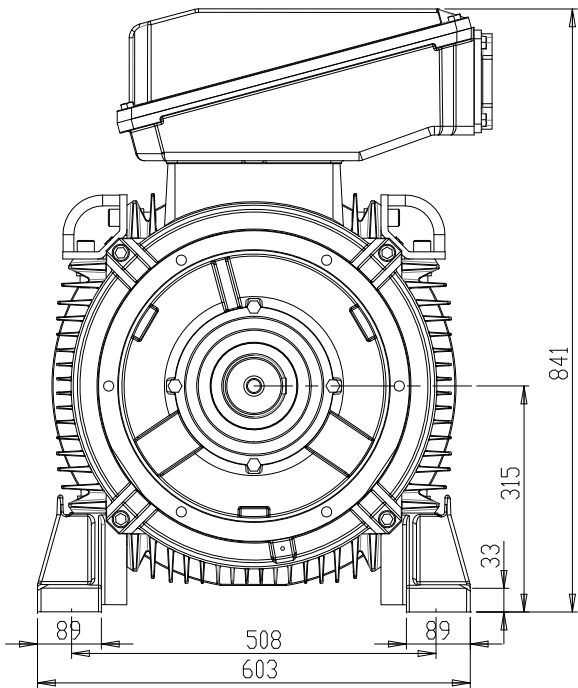
Click Link Below For Drawing

<http://www.brookcrompton.com/Drawings/WP%20Outline%20Drawing/Metric/Cast%20Iron/Euronorm/4P/WP-UDF315MNE%204P.pdf>

Click Link Below For Connection Diagram

<http://www.brookcrompton.com/Connections/Connection%20Diagram%206%20Lead%20575%20IEC.pdf>

Notes:



SECTION A-A

SCALE 1 : 3

W PREMIUM CAST IRON 315ME, 4/6 POLE, B3
TOTALLY ENCLOSED FAN COOLED

**BROOK
CROMPTON**

WU-DF315ME_B3_4P

A3

www.brookcrompton.com