

CATALOG No: **BC4M100-4D**

ISSUED: 28-Feb-24

**GENERAL INFORMATION**

HP	KW	Pole	RPM	Frame	Voltage	Hz	Phase	IP Rating
100	75.00	4	1800	280SD	230/460 V	60	3	IP55

Enclosure	Ins. Class	Service Factor	Time Rating	NEMA Design	Rated Amb.	Rated Altitude
TEFC	F	1.25	Continuous	B	-15 to 40 C°	<3300 ft

**TYPICAL PERFORMANCE**

Efficiency (%)			Power Factor (%)		
Full Load	3/4 Load	1/2 Load	Full Load	3/4 Load	1/2 Load
95.4	95.5	95.2	0.85	0.83	0.77

LRT%	BDT %	Full Load Amps	Locked Rotor Amps	Full Load RPM
		460 V	460 V	
190	220	116.00	725.00	1775

NEMA KVA Code	Bearing Size		Oil Seal		Sound Level
	Drive End	Non-Drive End	Drive End	Non-Drive End	dB(A)
-	6318.00	6318.00	90 x 120 x 12	90 x 120 x 12	69

\*Weights shown are estimated and based on standard foot mounted motor designs

**VFD DUTY INFORMATION**

	Variable Torque	Constant Torque	Rating
-	3 - 60 Hz	4 - 60 Hz	CSA Approved Class I; Div 2; Groups A, B, C, & D, T3
-	-	-	

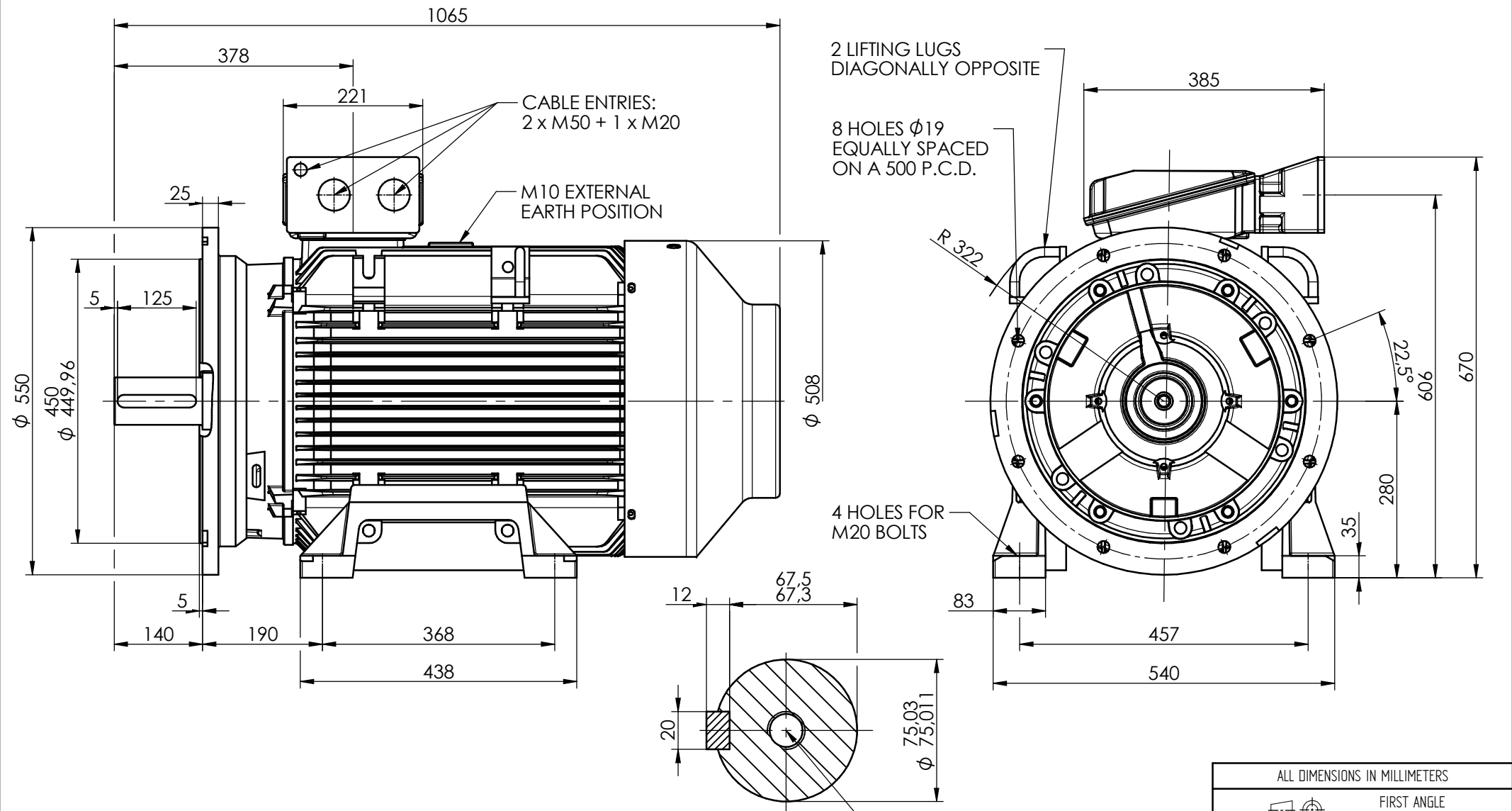
**Click Link Below For Drawing**

<http://www.brookcrompton.com/Drawings/W%20Series%20Metric%20-200-355/Foot%20Flange%203600%20RPM/W280SH2.pdf>

**Click Link Below For Connection Diagram**

<http://www.brookcrompton.com/Connections/Connection%20Diagram%206%20Lead%20460V%20IEC.pdf>

Notes:



TERMINAL BOX POSITION:  
 - CAN BE ARRANGED AT EITHER 9, 12 OR 3 O'CLOCK.  
 - STANDARD TERMINAL BOX POSITION IS 12 O'CLOCK AS SHOWN.  
 CONDUIT ENTRIES:  
 - TERMINAL BOX CAN BE ROTATED AT 90° INTERVALS

SHAFT SECTION  
1:2

ALL MOUNTING DIMENSIONS: ISO 2768-mK ACC TO EN 22768-1/2

ALL DIMENSIONS IN MILLIMETERS

FIRST ANGLE  
PROJECTION

**BROOK CROMPTON**  
Keeping Industry Turning

Produced by ATB Tamek S.A. a company of **ATB**

SHEET SIZE <b>A3</b>	TITLE: <b>OUTLINE DIMENSION DRAWING TOTALLY ENCLOSED FAN COOLED WP-UDF280SE 4P FRAME D FLANGE AND FOOT MOUNTED MOTOR</b>	NAME	DATE	DRG. No.	<b>WP-UDF280SE B35 4P</b>			
		DRAWN	SZ	28-06-2021	DRG. REF.			
		CHECKED	PGO	28-06-2021	REVISION:	0	DATE	0
		SCALE	1:6					