

CATALOG No: **BC4M060-4D**

ISSUED: 28-Feb-24

GENERAL INFORMATION

HP	KW	Pole	RPM	Frame	Voltage	Hz	Phase	IP Rating
60	45.00	4	1800	225MD	230/460 V	60	3	IP55

Enclosure	Ins. Class	Service Factor	Time Rating	NEMA Design	Rated Amb.	Rated Altitude
TEFC	F	1.25	Continuous	B	-15 to 40 C°	<3300 ft

TYPICAL PERFORMANCE

Efficiency (%)			Power Factor (%)		
Full Load	3/4 Load	1/2 Load	Full Load	3/4 Load	1/2 Load
95.0	95.0	94.0	0.88	0.85	0.78

LRT%	BDT %	Full Load Amps	Locked Rotor Amps	Full Load RPM
		460 V	460 V	
200	260	68.00	435.00	1775

NEMA KVA Code	Bearing Size		Oil Seal		Sound Level
	Drive End	Non-Drive End	Drive End	Non-Drive End	dB(A)
-	6314.00	6314.00	70 x 90 x 10	70 x 90 x 10	67

*Weights shown are estimated and based on standard foot mounted motor designs

VFD DUTY INFORMATION

	Variable Torque	Constant Torque	Rating
-	3 - 60 Hz	4 - 60 Hz	CSA Approved Class I; Div 2; Groups A, B, C, & D, T3
-	-	-	

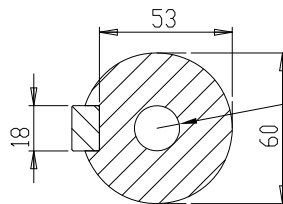
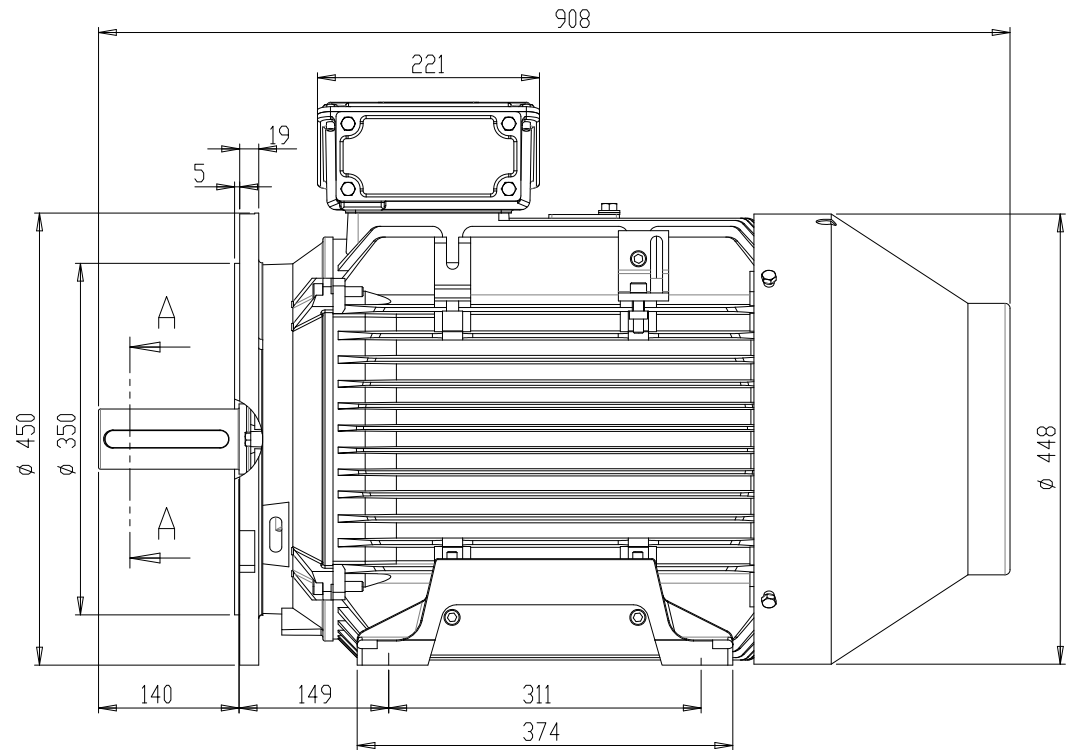
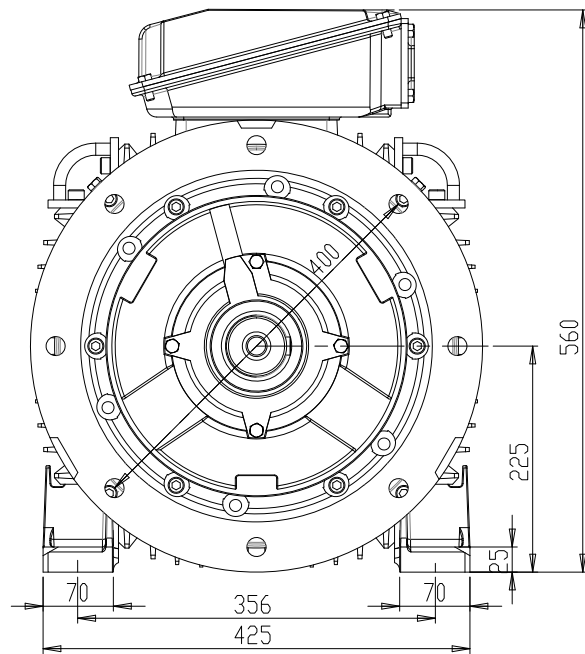
Click Link Below For Drawing

<http://www.brookcrompton.com/Drawings/WP%20Outline%20Drawing/Metric/Cast%20Iron/Flange/W225MH4.pdf>

Click Link Below For Connection Diagram

<http://www.brookcrompton.com/Connections/Connection%20Diagram%2012%20Lead%202X4%20IEC.pdf>

Notes:



TAPPED HOLE
M20 X 42 DEEP TO 332 DIN

SECTION A-A
SCALE 1 : 2

W PREMIUM CAST IRON 225M, 4/6 POLE, B35
TOTALLY ENCLOSED FAN COOLED

**BROOK
CROMPTON**

W-DF225M B35

A3

www.brookcrompton.com