

**60HZ TECHNICAL DATA SHEET**

CATALOG No: **BC4M040-4D**

ISSUED: 28-Feb-24

**GENERAL INFORMATION**

HP	KW	Pole	RPM	Frame	Voltage	Hz	Phase	IP Rating
40	30.00	4	1800	200LD	230/460 V	60	3	IP55

Enclosure	Ins. Class	Service Factor	Time Rating	NEMA Design	Rated Amb.	Rated Altitude
TEFC	F	1.25	Continuous	B	-15 to 40 C°	<3300 ft

**TYPICAL PERFORMANCE**

Efficiency (%)			Power Factor (%)		
Full Load	3/4 Load	1/2 Load	Full Load	3/4 Load	1/2 Load
94.1	94.0	93.0	0.89	0.85	0.78

LRT%	BDT %	Full Load Amps	Locked Rotor Amps	Full Load RPM
		460 V	460 V	
170	280	45.00	290.00	1765

NEMA KVA Code	Bearing Size		Oil Seal		Sound Level
	Drive End	Non-Drive End	Drive End	Non-Drive End	dB(A)
-	6312.00	6312.00	60 x 80 x 8	50 x 65 x 8	65

\*Weights shown are estimated and based on standard foot mounted motor designs

**VFD DUTY INFORMATION**

	Variable Torque	Constant Torque	Rating
-	3 - 60 Hz	4 - 60 Hz	CSA Approved Class I; Div 2; Groups A, B, C, & D, T3
-	-	-	

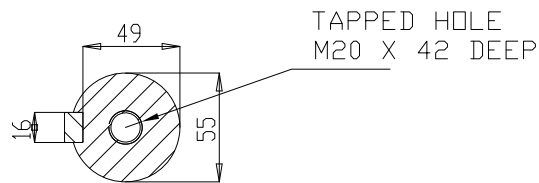
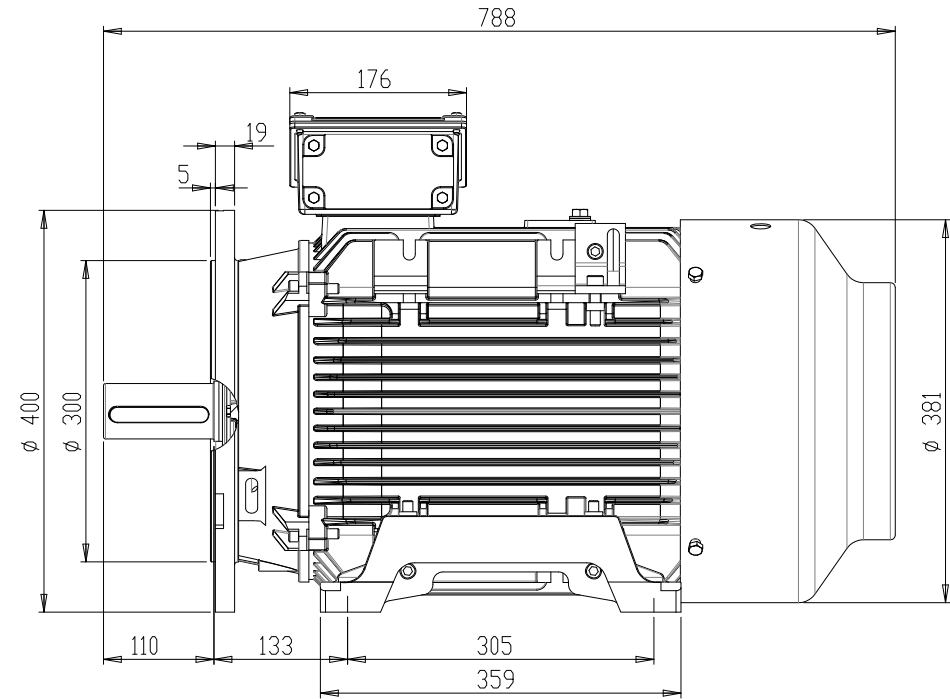
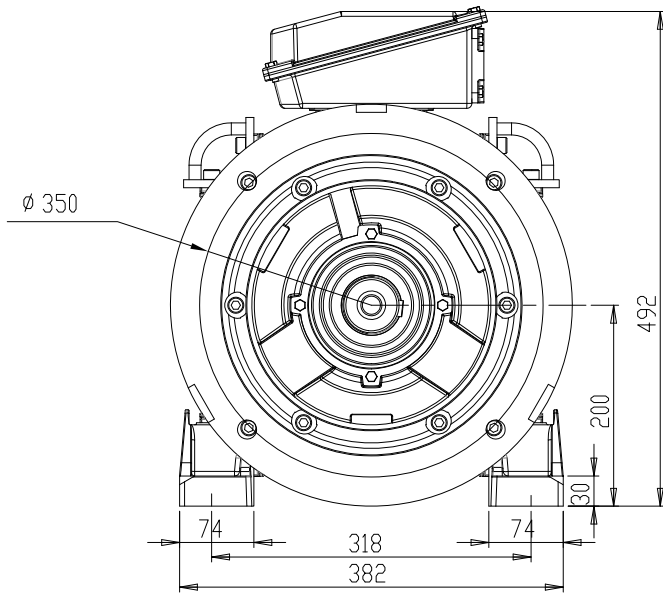
**Click Link Below For Drawing**

<http://www.brookcrompton.com/Drawings/WP%20Outline%20Drawing/Metric/Cast%20Iron/Flange/W200LH4.pdf>

**Click Link Below For Connection Diagram**

<http://www.brookcrompton.com/Connections/Connection%20Diagram%2012%20Lead%202X4%20IEC.pdf>

Notes:



W PREMIUM CAST IRON 200L B35  
TOTALLY ENCLOSED FAN COOLED

**BROOK  
CROMPTON**

WU-DF200L B35

A3

[www.brookcrompton.com](http://www.brookcrompton.com)