

CATALOG No: **BC2M100-4D**

ISSUED: 28-Feb-24

GENERAL INFORMATION

HP	KW	Pole	RPM	Frame	Voltage	Hz	Phase	IP Rating
100	75.00	2	3600	280SD	230/460 V	60	3	IP55

Enclosure	Ins. Class	Service Factor	Time Rating	NEMA Design	Rated Amb.	Rated Altitude
TEFC	F	1.25	Continuous	B	-15 to 40 C°	<3300 ft

TYPICAL PERFORMANCE

Efficiency (%)			Power Factor (%)		
Full Load	3/4 Load	1/2 Load	Full Load	3/4 Load	1/2 Load
94.1	94.2	93.6	0.91	0.90	0.85

LRT%	BDT %	Full Load Amps	Locked Rotor Amps	Full Load RPM
		460 V	460 V	
150	250	110.00	700.00	3540

NEMA KVA Code	Bearing Size		Oil Seal		Sound Level
	Drive End	Non-Drive End	Drive End	Non-Drive End	dB(A)
-	6314.00	6314.00	70 x 90 x 10	70 x 90 x 10	77

*Weights shown are estimated and based on standard foot mounted motor designs

VFD DUTY INFORMATION

	Variable Torque	Constant Torque	Rating
-	3 - 60 Hz	4 - 60 Hz	CSA Approved Class I; Div 2; Groups A, B, C, & D, T3
-	-	-	

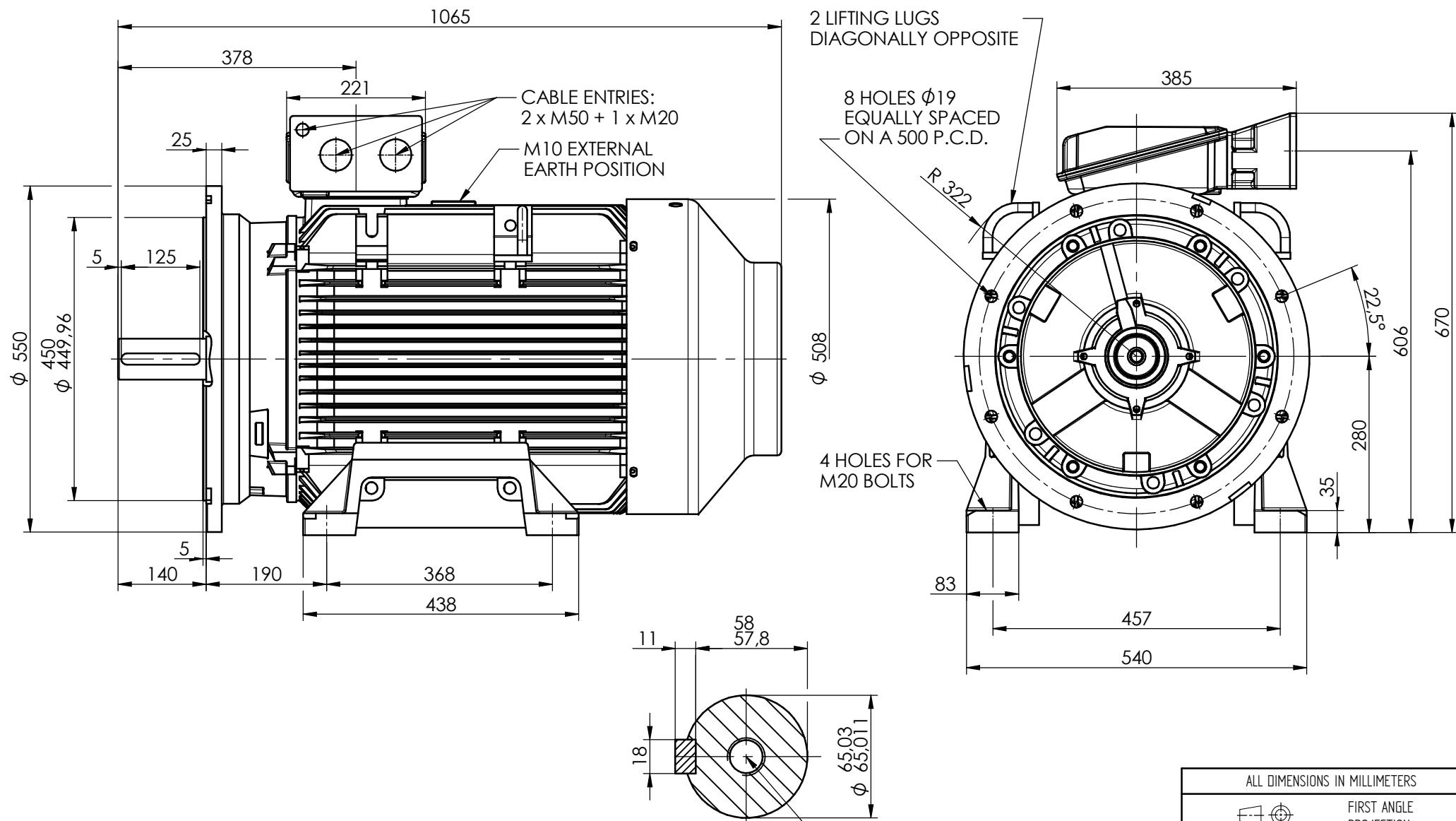
Click Link Below For Drawing

<http://www.brookcrompton.com/Drawings/W%20Series%20Metric%20-200-355/Foot%20Flange%203600%20RPM/W280SH2.pdf>

Click Link Below For Connection Diagram

<http://www.brookcrompton.com/Connections/Connection%20Diagram%206%20Lead%20460V%20IEC.pdf>

Notes:



TERMINAL BOX POSITION:

- CAN BE ARRANGED AT EITHER 9, 12 OR 3 O'CLOCK.
- STANDARD TERMINAL BOX POSITION IS 12 O'CLOCK AS SHOWN.

CONDUIT ENTRIES:

- TERMINAL BOX CAN BE ROTATED AT 90° INTERVALS

SHAFT SECTION
1:2

ALL MOUNTING DIMENSIONS: ISO 2768-mK ACC TO EN 22768-1/2

ALL DIMENSIONS IN MILLIMETERS



FIRST ANGLE
PROJECTION



Produced by ATB Tamei S.A. a company of **ATB**

SHEET SIZE A3	TITLE:	OUTLINE DIMENSION DRAWING TOTALLY ENCLOSED FAN COOLED WP-UDF280SE 2P FRAME D FLANGE AND FOOT MOUNTED MOTOR
----------------------------	--------	---

NAME	DATE	DRG. No.	WP-UDF280SE B35 2P		
DRAWN SZ	28-06-2021	DRG. REF.			
CHECKED PGO	28-06-2021	REVISION:	0	DATE	0
SCALE	1:5				