

**60HZ TECHNICAL DATA SHEET**

CATALOG No: **BC2M025V4**

ISSUED: 14-Mar-24

**GENERAL INFORMATION**

HP	KW	Pole	RPM	Frame	Voltage	Hz	Phase	IP Rating
25	18.50	2	3600	160L	230/460 V	60	3	IP55

Enclosure	Ins. Class	Service Factor	Time Rating	NEMA Design	Rated Amb.	Rated Altitude
TEFC	F	1.25	Continuous	B	-15 to 40 C°	<3300 ft

**TYPICAL PERFORMANCE**

Efficiency (%)			Power Factor (%)		
Full Load	3/4 Load	1/2 Load	Full Load	3/4 Load	1/2 Load
91.7	92.1	91.9	0.91	0.87	0.79

LRT%	BDT %	Full Load Amps	Locked Rotor Amps	Full Load RPM
		460 V	460 V	
240	400	27.80	216.01	3530

NEMA KVA Code	Bearing Size		Oil Seal		Sound Level
	Drive End	Non-Drive End	Drive End	Non-Drive End	dB(A)
-	6309ZZ	6307ZZ	-	-	-

\*Weights shown are estimated and based on standard foot mounted motor designs

**VFD DUTY INFORMATION**

	Variable Torque	Constant Torque	Rating
-	6 - 60 Hz	12 - 60 Hz	CSA Approved Class I; Div 2; Groups A, B, C, & D, T3 With VFD
-	-	-	

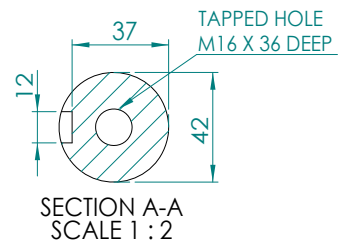
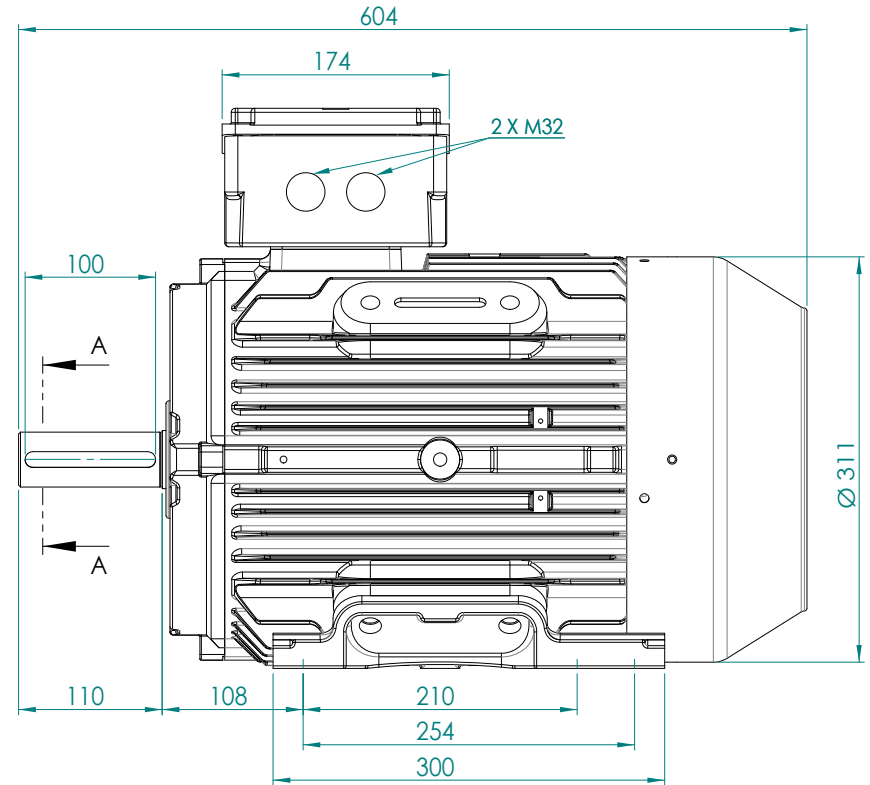
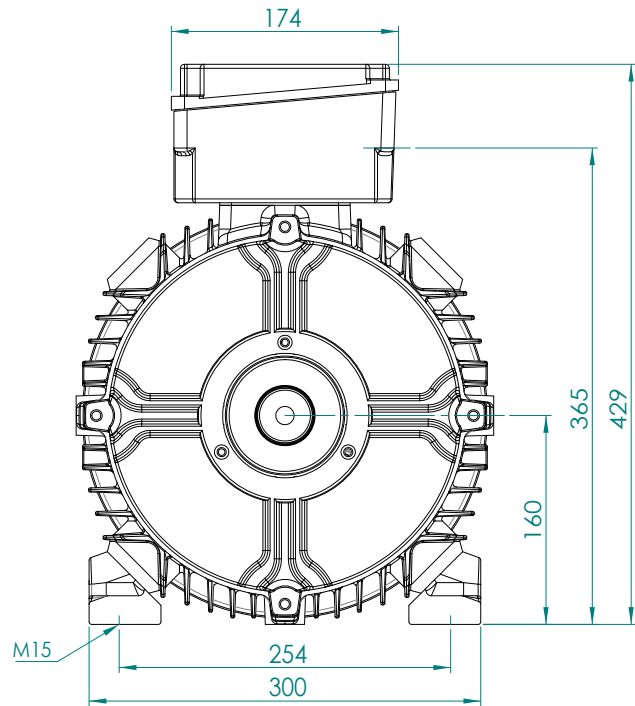
**Click Link Below For Drawing**

[Drawing Not Available](#)

**Click Link Below For Connection Diagram**

<http://www.brookcrompton.com/Connections/Connection%20Diagram%2012%20Lead%20X4%20IEC.pdf>

Notes:



**BROOK  
CROMPTON**

WPN-DF160M/L\_B3\_V

A3

SHEET

www.brookcrompton.com