



Keeping Industry Turning

W high voltage, high output



Specification, standards & introduction

2

Specification W high voltage, high output

Specification	Standard product	Option
Frame material	315 to 710 cast iron	-
Enclosure	IP55	IP56, IP65
Mounting option	Foot (B3), Foot & Flange (B35), Flange, shaft down (V1)	-
Terminal box position	Right	Left
Voltage	3.3kV or 6kV or 11kV	-
Frequency	50 Hz / 60Hz	-
Cooling	IC411	IC416
Insulation	class F	H
Temperature rise	class B	F (for inverter drive motor)
Paint colour	water blue (RAL 5021)	-
Ambient	-20°C to 40°C	-
Altitude	up to 1000m above sea level	-
Inverter Duty (with derate)	Constant torque 2:1, 5:1 or 10:1	Variable torque

The above specification and options give a brief summary of features available for the W high voltage, high output range. For a full listing of optional features, please contact Brook Crompton sales.

Standards

The W high voltage, high output motors are manufactured to international standards listed below:

Standards	
W HV/HO motors are manufactured to the international standards listed below:	
Performance	IEC 60034-1
Mounting	IEC 60034-7
Enclosure protection	IEC 60034-5
Vibration	IEC 60034-14
Efficiency	IEC 60034-2
Cooling	IEC 60034-6

Brook Crompton Keeping Industry Turning

Brook Crompton, the original innovator in electric motor development, is a leading provider of energy efficient electric motors. With over 110 years' technical & design expertise, UK-based Brook Crompton delivers consistently reliable electric motors to a global market.

Trusted to power limitless industrial activities across diverse market sectors, the robust design of Brook Crompton's electric motors drives fans, pumps, compressors, conveyors and more, every second, of every day, of every year.

Driven by technology and innovation, Brook Crompton has one of the widest available ranges of electric motors for operation in hazardous atmospheres and hostile environments.

Renowned for their adaptability, Brook Crompton's extensive motor stock can be modified to suit the needs of different market sectors, with technical support from the company's knowledgeable team readily available to ensure the correct selection of motors for any application. For bespoke situations and complete flexibility, Brook Crompton will design and manufacture to meet individual customer specifications.

Brook Crompton has a long-standing reputation for efficient customer service, supporting customers worldwide through its global network. Specialist Brook Crompton Motor Centres operate alongside approved product distributors throughout the UK, mainland Europe, Middle East, Canada, USA, and Asia Pacific.

Shaping the future of electric motors, Brook Crompton is focused on the development of new products that improve energy efficiency, offer lower cost of ownership throughout the motor lifetime and reduce environmental impact.

Brook Crompton, the original innovator in electric motors.

Quality assurance

Stringent quality procedures are observed from first design to finished product in accordance with the ISO9001 documented quality systems.

All factories have been assessed to meet these requirements.

W high voltage, high output

The Brook Crompton W high voltage, high output range covers outputs from 160kW up to 4000kW in frame sizes 315 to 710 available in 2 pole, 4 pole, 6 pole or 8 pole speeds.

The high voltage range offers voltages in 3.3kV, 6kV or 11kV.

This range is available with ingress protection to IP55, IP56 or IP65.

Benefits include:

- Increased power to weight ratio
- Optimised design to maximize performance
- Improved IC411 cooling system
- Reduced noise level
- Low bearing temps & ease of maintenance
- Multi-position terminal box
- Easy customisation with add-on accessories
- Suitable for use with inverter drives
- Insulated bearing

For information on the Brook Crompton **W Low Voltage, High Output** range of motors available from 160kW to 400kW, please see catalogue reference **20153E**.

kW and frame options, inverter derate chart

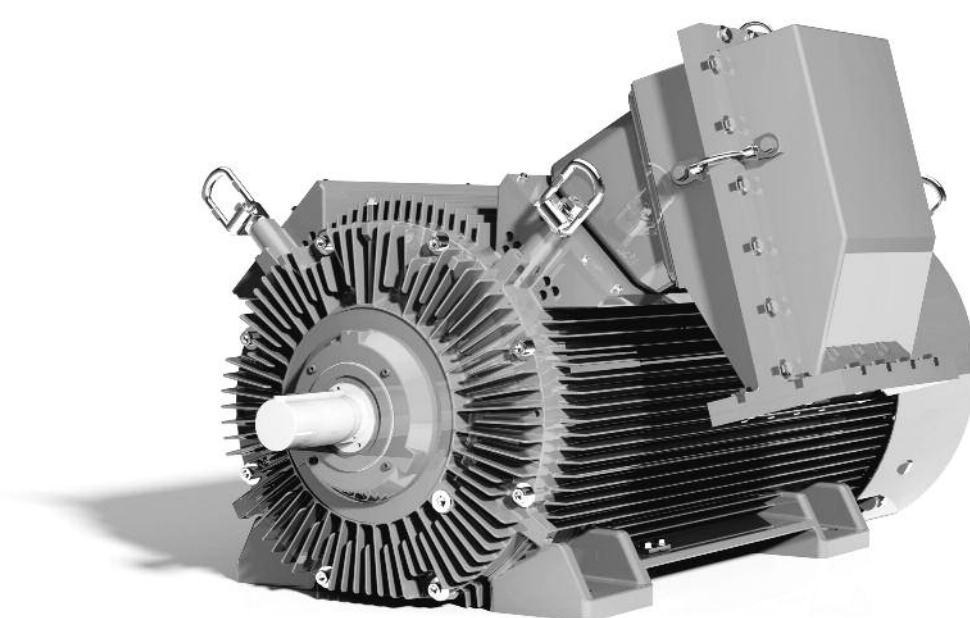
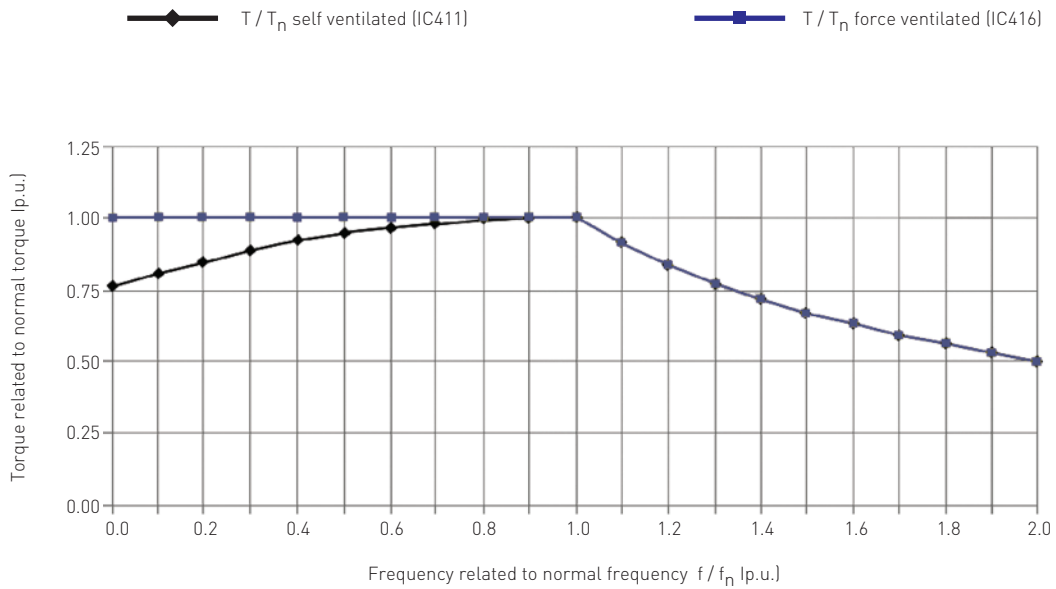
Output and frame designation

The table below shows the possible outputs in kW available within a given frame size.

W High voltage, high output range								
Frame size (mm)	315	355	400	450	500	560	630	710
Power range (kW)	160 to 400	225 to 600	355 to 800	560 to 1250	710 to 1800	1250 to 2250	1800 to 3000	2600 to 4000

Inverter derate chart

The chart below shows the torque reduction for inverter operation as a function of cooling system and rotational speed.



Performance data

4

3000 min⁻¹ (2 pole) & 1500 min⁻¹ (4 pole) - high voltage 3.3kV or 6kV 50Hz

3000 min-1 (2 pole)													
P _N		Type	I _N		h 1.0 P _N	Cos Ø 1.0 P _N	M _N Nm	M _N Nm	I _A I _N	M _K M _N	J kgm ²	kg	
kW	n min ⁻¹		3300V A	6000V A									
160	2967	WU-DF315LAX	34	19	94.5	0.88	515	0.80	6.1	2.4	2.3	1600	
180	2968	WU-DF315LBX	38	21	94.7	0.88	575	0.80	6.1	2.4	2.3	1620	
250	2969	WU-DF315LCX	52	29	94.8	0.88	800	0.80	6.1	2.4	2.5	1770	
315	2970	WU-DF315LDX	66	36	95.0	0.88	1010	0.80	6.2	2.4	2.8	1920	
355	2973	WU-DF315LEX	74	41	95.1	0.88	1140	0.80	6.2	2.4	3.1	2100	
400	2975	WU-DF355LAX	83	46	95.3	0.88	1285	0.80	6.3	2.4	4.5	2400	
450	2977	WU-DF355LBX	93	51	95.6	0.89	1445	0.80	6.4	2.4	4.9	2540	
500	2977	WU-DF355LCX	103	56	95.8	0.89	1605	0.80	6.4	2.4	5.3	2680	
560	2977	WU-DF400LAX	115	63	95.9	0.89	1796	0.80	6.4	2.4	8.0	3240	
630	2977	WU-DF400LBX	129	71	96.0	0.89	2023	0.80	6.5	2.4	8.6	3360	
710	2977	WU-DF400LCX	145	80	96.2	0.89	2280	0.80	6.5	2.4	9.8	3540	
800	2977	WU-DF450LAX	163	90	96.2	0.89	2569	0.80	6.5	2.4	17.2	4650	
900	2977	WU-DF450LBX	184	101	96.3	0.89	2890	0.80	6.5	2.4	19.0	4900	
1000	2979	WU-DF500LAX	202	111	96.4	0.90	3200	0.80	6.6	2.4	21.1	5230	
1120	2979	WU-DF500LBX	226	124	96.5	0.90	3586	0.80	6.6	2.4	28.0	6050	
1250	2979	WU-DF500LCX	252	138	96.6	0.90	4002	0.80	6.6	2.4	32.0	6250	

1500 min-1 (4 pole)													
P _N		Type	I _N		h 1.0 P _N	Cos Ø 1.0 P _N	M _N Nm	M _N Nm	I _A I _N	M _K M _N	J kgm ²	kg	
kW	n min ⁻¹		3300V A	6000V A									
200	1480	WU-DF315LAX	43	24	93.9	0.86	1288	0.85	6.0	2.3	2.9	1570	
250	1480	WU-DF315LBX	54	30	94.4	0.86	1610	0.85	6.0	2.3	3.6	1725	
315	1481	WU-DF315LCX	68	37	94.7	0.86	2028	0.85	6.0	2.3	4.1	1940	
355	1482	WU-DF315LDX	76	42	95.1	0.86	2285	0.85	6.0	2.3	4.9	2090	
400	1484	WU-DF355LAX	85	47	95.1	0.87	2578	0.85	6.0	2.4	6.2	2380	
450	1484	WU-DF355LBX	95	52	95.2	0.87	2895	0.85	6.0	2.4	6.7	2530	
500	1484	WU-DF355LCX	105	58	95.4	0.87	3222	0.85	6.0	2.4	7.3	2680	
560	1484	WU-DF355LDX	119	66	95.6	0.86	3603	0.85	6.0	2.4	8.3	2840	
630	1486	WU-DF400LAX	134	74	95.5	0.86	4051	0.85	6.1	2.4	11.8	3500	
710	1486	WU-DF400LBX	149	82	95.6	0.87	4566	0.85	6.2	2.4	13.2	3730	
800	1486	WU-DF400LCX	168	92	95.9	0.87	5144	0.85	6.2	2.4	14.9	3950	
900	1486	WU-DF450LAX	186	103	96.0	0.88	5788	0.85	6.3	2.4	24.0	5060	
1000	1486	WU-DF450LBX	207	114	96.2	0.88	6431	0.85	6.3	2.4	27.2	5350	
1120	1488	WU-DF450LCX	231	127	96.4	0.88	7202	0.85	6.3	2.4	31.0	5650	
1250	1488	WU-DF500LAX	255	140	96.5	0.89	8038	0.85	6.4	2.3	37.0	6280	
1400	1488	WU-DF500LBX	285	157	96.6	0.89	8986	0.85	6.5	2.3	42.0	6770	
1600	1488	WU-DF500LCX	326	179	96.6	0.89	10270	0.85	6.5	2.3	50.0	7440	

Performance data

1000 min⁻¹ (6 pole) & 750 min⁻¹ & (8 pole) - high voltage 3.3kV or 6kV 50Hz

5

1000 min ⁻¹ (6 pole)												
P _N		Type	I _N		η 1.0 P _N	Cos φ 1.0 P _N	M _N Nm	M _N Nm	I _Δ I _N	M _K M _N	J kgm ²	kg
kW	n min ⁻¹		3300V A	6000V A								
160	983	WU-DF315LAX	38	21	93.7	0.79	1554	0.75	5.3	2.1	4.5	1740
180	984	WU-DF315LBX	42	23	93.8	0.80	1734	0.80	5.4	2.2	4.7	1830
200	984	WU-DF315LCX	47	26	94.0	0.80	1942	0.80	5.4	2.2	5.1	1900
250	985	WU-DF315LDX	58	32	94.1	0.80	2427	0.80	5.4	2.2	6.1	2110
315	987	WU-DF315LEX	69	38	94.7	0.84	3058	0.80	5.4	2.2	7.7	2350
355	987	WU-DF355LAX	78	43	94.8	0.84	3447	0.80	5.4	2.3	12.6	2600
400	987	WU-DF355LBX	88	48	94.9	0.84	3884	0.80	5.4	2.3	14.8	2840
450	987	WU-DF355LCX	99	54	95.0	0.84	4354	0.80	5.4	2.3	17.1	2990
500	987	WU-DF400LAX	109	60	95.2	0.84	4835	0.80	5.6	2.3	22.0	3560
560	988	WU-DF400LBX	122	67	95.3	0.84	5412	0.80	5.6	2.3	24.3	3760
630	988	WU-DF400LCX	138	76	95.4	0.84	6092	0.80	5.6	2.3	27.5	4000
800	989	WU-DF450LAX	174	96	95.7	0.84	7721	0.85	5.8	2.4	42.0	5230
900	989	WU-DF450LBX	195	108	95.9	0.84	8686	0.85	5.8	2.4	56.0	5600
1000	989	WU-DF450LCX	217	119	96.1	0.84	9651	0.85	5.8	2.4	72.0	5980
1120	989	WU-DF500LAX	229	126	96.2	0.89	10809	0.85	6.0	2.4	94.0	6860
1250	989	WU-DF500LBX	255	140	96.3	0.89	11968	0.85	6.0	2.4	104.0	7380
1400	989	WU-DF500LCX	285	157	96.5	0.89	13498	0.85	6.0	2.4	116.0	8040

750 min ⁻¹ (8 pole)												
P _N		Type	I _N		η 1.0 P _N	Cos φ 1.0 P _N	M _N Nm	M _N Nm	I _Δ I _N	M _K M _N	J kgm ²	kg
kW	n min ⁻¹		3300V A	6000V A								
200	743	WU-DF355LAX	50	27	93.8	0.75	2570	0.70	5.2	2.1	11.0	2450
250	743	WU-DF355LBX	63	34	94.0	0.75	3210	0.70	5.2	2.1	12.7	2660
315	743	WU-DF355LCX	79	43	94.1	0.75	4045	0.70	5.2	2.1	15.1	2890
355	743	WU-DF400LAX	87	47	94.9	0.77	4570	0.70	5.3	2.1	20.0	3400
400	743	WU-DF400LBX	98	53	95.1	0.77	5144	0.70	5.3	2.1	24.4	3720
560	744	WU-DF450LAX	135	73	95.4	0.77	7176	0.75	5.3	2.2	36.0	4740
630	744	WU-DF450LBX	152	82	95.5	0.77	8074	0.75	5.3	2.2	41.0	5100
710	744	WU-DF450LCX	170	93	95.9	0.77	9088	0.75	5.3	2.2	47.0	5580
800	745	WU-DF500LAX	189	103	96.0	0.78	10240	0.70	5.2	2.2	66.0	6620
900	744	WU-DF500LBX	213	116	96.1	0.78	11532	0.70	5.2	2.2	89.0	7200

3000 min⁻¹ (2 pole) & 1500 min⁻¹ (4 pole) - high voltage 11kV 50Hz

3000 min ⁻¹ (2 pole)												
P_N		Type	I_N		h 1.0 P_N	$\cos \phi$ 1.0 P_N	M_N Nm	M_N Nm	$\frac{I_A}{I_N}$	$\frac{M_K}{M_N}$	J kgm ²	kg
kW	n min ⁻¹		10000V A									
315	2970	WU-DF400LAX	22	94.8	0.87	1007	0.80	6.3	2.3	4.2	2980	
400	2970	WU-DF400LBX	28	95.3	0.87	1440	0.80	6.3	2.3	5.6	3300	
500	2974	WU-DF400LCX	35	95.4	0.87	1600	0.80	6.3	2.3	7.5	3520	
560	2975	WU-DF450LAX	38	95.6	0.88	1797	0.80	6.3	2.4	12.4	4290	
630	2975	WU-DF450LBX	43	95.7	0.88	2013	0.80	6.3	2.4	15.2	4480	
710	2973	WU-DF450LCX	49	95.9	0.88	2269	0.80	6.3	2.4	17.2	4690	
800	2978	WU-DF450LDX	55	96.1	0.88	2557	0.80	6.3	2.4	19.1	4920	
900	2979	WU-DF500LAX	61	96.2	0.89	2872	0.80	6.0	2.4	27.0	5700	
1000	2979	WU-DF500LBX	67	96.3	0.89	3192	0.80	6.0	2.4	33.0	6000	
1120	2978	WU-DF500LCX	75	96.5	0.89	3575	0.80	6.0	2.4	39.0	6300	

1500 min ⁻¹ (4 pole)												
P_N		Type	I_N		h 1.0 P_N	$\cos \phi$ 1.0 P_N	M_N Nm	M_N Nm	$\frac{I_A}{I_N}$	$\frac{M_K}{M_N}$	J kgm ²	kg
kW	n min ⁻¹		10000V A									
400	1482	WU-DF400LAX	29	94.9	0.85	2562	0.85	6.0	2.4	8.9	3380	
500	1482	WU-DF400LBX	36	95.2	0.85	3221	0.85	6.0	2.4	11.2	3640	
560	1483	WU-DF400LCX	40	95.3	0.85	3606	0.85	6.0	2.4	15.0	3760	
630	1483	WU-DF400LDX	44	95.4	0.86	4038	0.85	6.0	2.4	19.0	4090	
800	1484	WU-DF450LAX	56	95.7	0.86	5117	0.85	6.1	2.4	24.4	5100	
900	1484	WU-DF450LBX	62	95.8	0.87	5756	0.85	6.1	2.4	30.0	5400	
1000	1486	WU-DF450LCX	69	96.0	0.87	6396	0.85	6.0	2.4	33.1	5800	
1120	1486	WU-DF500LAX	76	96.1	0.88	7154	0.85	5.9	2.4	37.3	6400	
1320	1484	WU-DF500LBX	90	96.2	0.88	8431	0.85	5.9	2.4	43.5	6980	
1400	1484	WU-DF500LCX	95	96.4	0.88	8942	0.85	5.9	2.4	49.0	7270	

1000 min⁻¹ (6 pole) & 750 min⁻¹ & (8 pole) - high voltage 11kV 50Hz

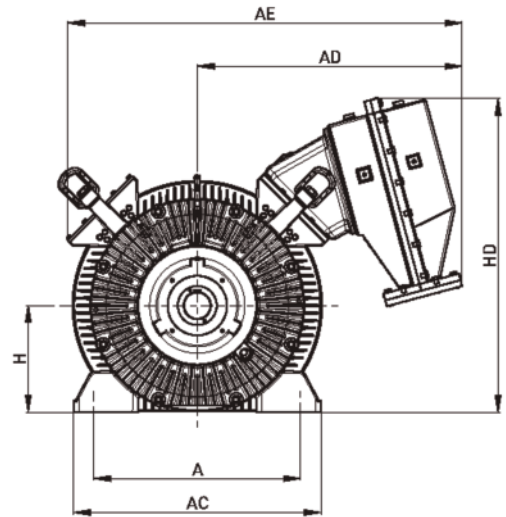
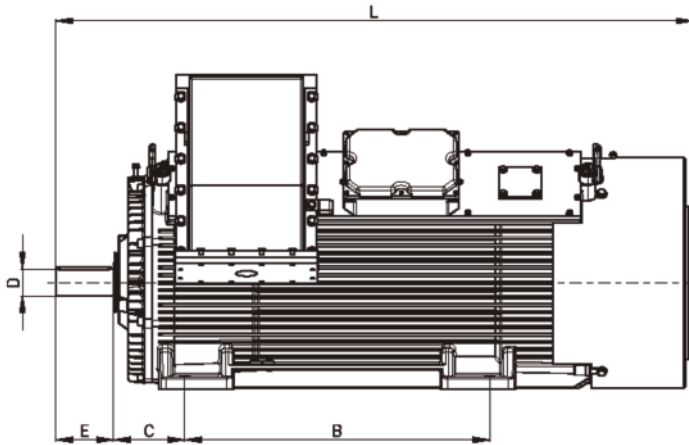
1000 min ⁻¹ (6 pole)												
P_N		Type	I_N		η 1.0 P_N	Cos ϕ 1.0 P_N	M_N Nm	M_N Nm	$\frac{I_{\Delta}}{I_N}$	$\frac{M_K}{M_N}$	J kgm ²	kg
kW	n min ⁻¹		6000V A									
315	987	WU-DF400LAX	23	95.2	0.83	3026	0.80	5.6	2.3	15.0	3440	
400	987	WU-DF400LBX	29	95.3	0.83	3843	0.80	5.6	2.3	18.4	3610	
450	988	WU-DF400LCX	33	95.4	0.83	4323	0.80	5.6	2.3	23.2	3800	
500	989	WU-DF400LDX	36	95.1	0.84	4828	0.84	5.7	2.4	25.1	3970	
560	989	WU-DF450LAX	40	95.2	0.84	5407	0.85	5.8	2.4	34.7	4860	
630	989	WU-DF450LBX	45	95.3	0.84	6040	0.85	5.8	2.4	42.0	5370	
710	989	WU-DF450LCX	51	95.8	0.84	6807	0.85	5.8	2.4	59.2	5900	
800	989	WU-DF450LDX	57	96.0	0.85	7670	0.85	5.8	2.4	80.0	6450	
1000	989	WU-DF500LAX	70	96.2	0.86	9588	0.85	6.0	2.4	93.2	7060	
1120	989	WU-DF500LBX	78	96.3	0.86	10738	0.85	6.0	2.4	103.6	7480	
1250	989	WU-DF500LCX	87	96.5	0.86	11984	0.85	6.0	2.4	117.0	7850	

750 min ⁻¹ (8 pole)												
P_N		Type	I_N		η 1.0 P_N	Cos ϕ 1.0 P_N	M_N Nm	M_N Nm	$\frac{I_{\Delta}}{I_N}$	$\frac{M_K}{M_N}$	J kgm ²	kg
kW	n min ⁻¹		6000V A									
280	743	WU-DF400LAX	22	94.6	0.76	3599	0.70	5.4	2.1	14.2	3370	
315	743	WU-DF400LBX	25	94.4	0.77	4043	0.70	5.4	2.1	16.4	3580	
355	743	WU-DF400LCX	28	94.5	0.77	4556	0.70	5.4	2.1	20.0	3780	
400	744	WU-DF450LAX	32	94.6	0.77	5141	0.75	5.4	2.2	32.0	4640	
500	744	WU-DF450LAX	39	94.9	0.78	6400	0.75	5.4	2.2	39.2	5000	
560	744	WU-DF450LBX	44	95.1	0.78	7168	0.75	5.4	2.2	43.1	5300	
630	744	WU-DF450LCX	49	95.5	0.78	8075	0.75	5.4	2.2	48.5	5640	
710	745	WU-DF500LAX	54	95.7	0.79	9088	0.75	5.3	2.2	83.0	6670	
800	745	WU-DF500LBX	61	95.9	0.79	10241	0.75	5.3	2.2	102.8	7120	
900	745	WU-DF500LCX	68	96.0	0.80	11521	0.75	5.3	2.2	122.0	7590	

Dimensions

8

Foot mounted (B3) / anti-friction bearings

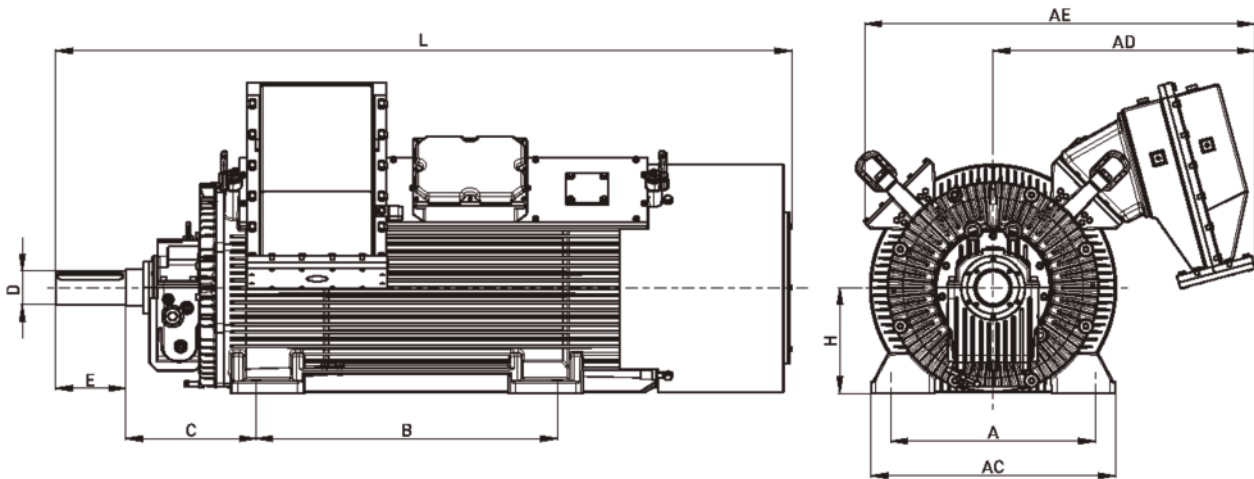


Anti-friction bearings													
Type	poles	A	AC	AD	AE	B	C	shaft		H	HD	L	
								Ø D	E				
WU-DF315X	2	610	730	785	1165	900	200	80	170	315	940	1900	
WU-DF315X	4+	610	730	785	1165	900	200	100	210	315	940	1940	
WU-DF355X	2	686	810	815	1240	1000	224	80	170	355	1030	1995	
WU-DF355X	4+	686	810	815	1240	1000	224	100	210	355	1030	2035	
WU-DF400X	2	750	940	830	1275	1120	254	80	170	400	1100	2105	
WU-DF400X	4+	750	940	830	1275	1120	254	110	210	400	1100	2145	
WU-DF450X	4+	850	1050	890	1390	1250	280	120	210	450	1200	2550	
WU-DF500X	4+	950	1160	920	1465	1320	315	140	250	500	1280	2825	
WU-DF560X	4+	1060	1270	955	1550	1400	335	160	240	560	1375	tba	
WU-DF630X	4+	1120	1370	990	1645	1600	335	180	240	630	1475	tba	
WU-DF710X	4+	tba	tba	tba	tba	tba	tba	190	350	710	tba	tba	

all dimensions in millimetres

Dimensions

Foot mounted (B3) / sleeve bearings



Sleeve bearings

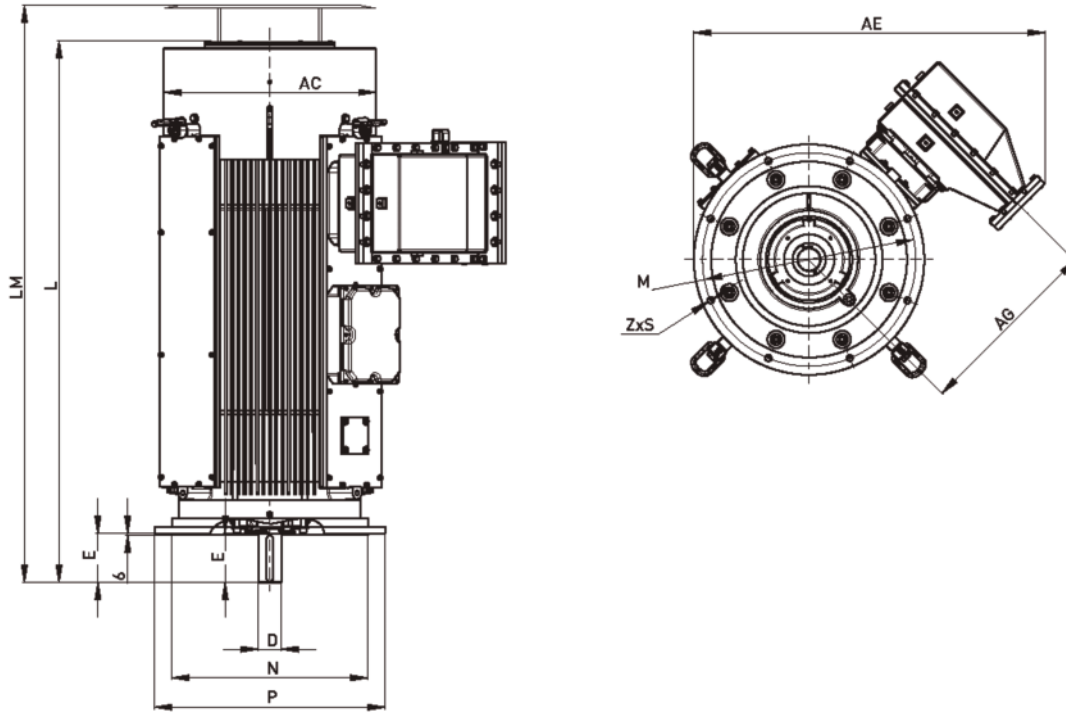
Type	poles	A	AC	AD	AE	B	C	shaft		H	HD	L
								Ø D	E			
WU-DF315X	2	610	730	785	1165	900	390	75	140	315	940	2060
WU-DF315X	4+	610	730	785	1165	900	390	75	140	315	940	2060
WU-DF355X	2	686	810	815	1240	1000	365	80	170	355	1030	2165
WU-DF355X	4+	686	810	815	1240	1000	365	100	210	355	1030	2205
WU-DF400X	2	750	940	830	1275	1120	430	85	170	400	1100	2605
WU-DF400X	4+	750	940	830	1275	1120	430	100	210	400	1100	2645
WU-DF450X	2	850	1050	890	1390	1250	475	95	170	450	1200	2835
WU-DF450X	4+	850	1050	890	1390	1250	475	120	210	450	1200	2875
WU-DF500X	2	950	1160	920	1465	1320	530	120	210	500	1280	3175
WU-DF500X	4+	950	1160	920	1465	1320	530	140	250	500	1280	3215
WU-DF560X	2	1060	1270	955	1550	1400	560	140	250	560	1375	tba
WU-DF560X	4+	1060	1270	955	1550	1400	560	160	240	560	1375	tba
WU-DF630X	4+	1120	1370	990	1645	1600	570	180	240	630	1475	tba
WU-DF710X	4+	tba	tba	tba	tba	tba	tba	190	350	710	tba	tba

all dimensions in millimetres

Dimensions

10

Flange mounted (V1) / anti-friction bearings



Anti-friction bearings (V1)

Type	poles	AC	AE	AG	shaft		L	LM	P	N	M	Z	Ø S
					Ø D	E							
WU-DF315X	2	740	1225	650	80	170	1900	2030	800	680	740	8	x 22
WU-DF315X	4+	740	1225	650	100	210	1940	2070	800	680	740	8	x 22
WU-DF355X	2	820	1325	730	80	170	1995	2125	900	780	840	8	x 22
WU-DF355X	4+	820	1325	730	100	210	2035	2165	900	780	840	8	x 22
WU-DF400X	2	885	1355	711	80	170	2105	2235	1000	880	940	8	x 22
WU-DF400X	4+	885	1355	711	110	210	2145	2275	1000	880	940	8	x 22
WU-DF450X	4+	1000	1520	830	120	210	2550	2680	1150	1000	1080	8	x 22
WU-DF500X	4+	1100	1515	880	140	250	2825	2955	1270	1120	1200	8	x 35
WU-DF560X	4+	tba	tba	tba	160	240	tba	tba	tba	tba	tba	tba	x tba
WU-DF630X	4+	tba	tba	tba	180	240	tba	tba	tba	tba	tba	tba	x tba
WU-DF710X	4+	tba	tba	tba	190	350	tba	tba	tba	tba	tba	tba	x tba

all dimensions in millimetres

Technical information

Mechanical

Bearing types and relubrication

Bearing references and grease relubrication intervals										
Type	Mounting	Poles	Bearings		Grease quantity (gms)		Relubrication interval (hrs)			
			Drive end	Non-drive end	Drive end	Non-drive end	2P	4P	6P	8P
WU-DF315X	B3	2	6317 C3	6317 C3	46	46	1400	-	-	-
		4+	6322 C3	6322 C3	75	75	-	3000	4900	6300
	V1	2	6317 C3	6317 C3 / C4	46	46	1400	-	-	-
		4+	6322 C3	6322 C3 / C4	75	75	-	3000	4900	6300
WU-DF355X	B3	2	6317 C3	6317 C3	46	46	1400	-	-	-
		4+	6322 C3	6322 C3	75	75	-	3000	4900	6300
	V1	2	6317 C3	6317 C3 / C4	46	46	1400	-	-	-
		4+	6322 C3	6322 C3 / C4	75	75	-	3000	4900	6300
WU-DF400X	B3	2	6317 C3	6317 C3	46	46	1400	-	-	-
		4+	6324 C3	6324 C3	90	90	-	2700	4500	5900
	V1	2	6317 C3	6317 C3	46	46	1400	-	-	-
		4+	6324 C3	6324 C3	90	90	-	2700	4500	5900
WU-DF450X	B3	4+	6326 M C3	6326 M C3	105	105	-	2500	4200	5500
	V1	4+	6326 M C3	7326B & 6326 C3	105	105 & 105	-	2000	3500	4500
WU-DF500X	B3	4+	6326 M C3	6326 M C3	105	105	-	2500	4200	5500
	V1	4+	6326 M C3	7326 B M & 6326 M C3	105	105 & 105	-	2000	3500	4500
WU-DF560X	B3	4+	6330 C3	6330 C3	120	120	-	2000	3500	4500
	V1	4+	6330 C3	7330 B M & 6330 C3	120	120 & 120	-	1700	3000	3800

All dimensions in millimetres

Cable entry can be arranged in any one of four positions at 90° intervals

Dimensions should not be used for installation purposes unless specially endorsed

B5 mounted motors have suffix '-D' in the frame reference, eg WU-DF315LAX-D & B3/B5 mounted motors have suffix '-H' in the frame reference, eg WU-DF315LAX-H

UK, EUROPE & MIDDLE EAST

Brook Crompton UK Ltd
St. Thomas' Road
Huddersfield,
HD1 3LJ

Tel: +44 (0)1484 557200
Fax: +44 (0)1484 557201
email: csc@brookcrompton.com

www.brookcrompton.com

ASIA PACIFIC

Brook Crompton Asia Pacific Pte Ltd
100 Cecil Street
#07-01/02, The Globe
Singapore 069532

Tel: +65 6227 0308
Fax: +65 6227 0605
email: marketing@linjacob.com

www.brookcrompton.com

NORTH AMERICA

Americas and Canadian Main Sales Office & Warehouse

Brook Crompton Ltd
264 Attwell Drive
Toronto, Ontario
M9W 5B2

US Main Warehouse
Brook Crompton USA Inc
7615 Detour Avenue
Cleveland, Ohio
44103

Quebec Sales office and Distribution Warehouse

Brook Crompton Ltd
5088 Francois Cusson Street
Lachine, Quebec
H8T 1B3

Call : 1-800-MOTORS-9 (press 1 for sales)
(1-800-668-6779) OR 1-800-463-8917 (press 1 for sales)
Locally in Toronto call 416-675-3844 (press 1 for sales)
Locally in Quebec 1-888-668-9843
email: sales@brookcromptonna.com

www.brookcromptonna.com



an ATB group company

Every care has been taken to ensure the accuracy of the information contained in this publication, but, due to a policy of continuous development and improvement the right is reserved to supply products which may differ slightly from those illustrated and described in this publication

dh1510/**/11/15 20154E issue 2. W HVH0.
© Copyright Brook Crompton UK Ltd. All rights reserved.